

Dust Extractor System for metabo HPT Cordless Rotary Hammer

Système extracteur de poussière pour marteau rotatif sans fil metabo HPT

Sistema extractor de polvo para el martillo perforador a batería de metabo HPT

SAFETY INSTRUCTIONS AND INSTRUCTION MANUAL

WARNING

IMPROPER OR UNSAFE use of this power tool can result in death or serious bodily injury!
This manual contains important information about product safety. Please read and understand
this manual **BEFORE** operating the power tool. Please keep this manual available for other
users and owners before they use the power tool. This manual should be stored in safe place.

INSTRUCTIONS DE SECURITE ET MODE D'EMPLOI

AVERTISSEMENT

Une utilisation **INCORRECTE OU DANGEREUSE** de cet outil motorisé peut entraîner la mort
ou de sérieuses blessures corporelles!
Ce mode d'emploi contient d'importantes informations à propos de la sécurité de ce produit.
Prière de lire et de comprendre ce mode d'emploi **AVANT** d'utiliser l'outil motorisé. Garder ce
mode d'emploi à la disponibilité des autres utilisateurs et propriétaires avant qu'ils utilisent
l'outil motorisé. Ce mode d'emploi doit être conservé dans un endroit sûr.

INSTRUCCIONES DE SEGURIDAD Y MANUAL DE INSTRUCCIONES

ADVERTENCIA

¡La utilización **INAPROPIADA O PELIGROSA** de esta herramienta eléctrica puede resultar
en lesiones de gravedad o la muerte!
Este manual contiene información importante sobre la seguridad del producto. Lea y
comprenda este manual **ANTES** de utilizar la herramienta eléctrica. Guarde este manual para
que puedan leerlo otras personas antes de utilizar la herramienta eléctrica. Este manual debe
ser guardado en un lugar seguro.

IMPORTANT SAFETY INSTRUCTIONS

Read all of the safety precautions, warnings and operating instructions in the Instruction Manual before operating or maintaining this power tool.

Most accidents that result from power tool operation and maintenance are caused by the failure to observe basic safety rules or precautions. An accident can often be avoided by recognizing a potentially hazardous situation before it occurs, and by observing appropriate safety procedures.

Basic safety precautions are outlined in the "SAFETY" section of this Instruction Manual and in the sections which contain the operation and maintenance instructions.

Hazards that must be avoided to prevent bodily injury or machine damage are identified by WARNINGS on the power tool and in this Instruction Manual.

NEVER use this power tool in a manner that has not been specifically recommended by metabo HPT.

MEANINGS OF SIGNAL WORDS

WARNING indicates a potentially hazardous situations which, if ignored, could result in death or serious injury.

CAUTION indicates a potentially hazardous situations which, if not avoided, may result in minor or moderate injury, or may cause machine damage.

NOTE emphasizes essential information.

SAFETY

GENERAL POWER TOOL SAFETY WARNINGS

WARNING

Read all safety warnings and all instructions.

Failure to follow the warnings and instructions may result in electric shock, fire and/or serious injury.

Save all warnings and instructions for future reference.

The term "power tool" in the warnings refers to your mains-operated (corded) power tool or battery-operated (cordless) power tool.

- 1) **Work area safety**
 - a) **Keep work area clean and well lit.**
Cluttered or dark areas invite accidents.
 - b) **Do not operate power tools in explosive atmospheres, such as in the presence of flammable liquids, gases or dust.**
Power tools create sparks which may ignite the dust or fumes.
 - c) **Keep children and bystanders away while operating a power tool.**
Distractions can cause you to lose control.
- 2) **Electrical safety**
 - a) **Power tool plugs must match the outlet. Never modify the plug in any way. Do not use any adapter plugs with earthed (grounded) power tools.**
Unmodified plugs and matching outlets will reduce risk of electric shock.
 - b) **Avoid body contact with earthed or grounded surfaces such as pipes, radiators, ranges and refrigerators.**
There is an increased risk of electric shock if your body is earthed or grounded.
 - c) **Do not expose power tools to rain or wet conditions.**
Water entering a power tool will increase the risk of electric shock.
 - d) **Do not abuse the cord. Never use the cord for carrying, pulling or unplugging the power tool. Keep cord away from heat, oil, sharp edges or moving parts.**
Damaged or entangled cords increase the risk of electric shock.
 - e) **When operating a power tool outdoors, use an extension cord suitable for outdoor use.**
Use of a cord suitable for outdoor use reduces the risk of electric shock.
 - f) **If operating a power tool in a damp location is unavoidable, use a residual current device (RCD) protected supply.**
Use of an RCD reduces the risk of electric shock.
- 3) **Personal safety**
 - a) **Stay alert, watch what you are doing and use common sense when operating a power tool. Do not use a power tool while you are tired or under the influence of drugs, alcohol or medication.**

A moment of inattention while operating power tools may result in serious personal injury.

- b) Use personal protective equipment. Always wear eye protection.**

Protective equipment such as dust mask, non-skid safety shoes, hard hat, or hearing protection used for appropriate conditions will reduce personal injuries.

- c) Prevent unintentional starting. Ensure the switch is in the off-position before connecting to power source and/or battery pack, picking up or carrying the tool.**

Carrying power tools with your finger on the switch or energising power tools that have the switch on invites accidents.

- d) Remove any adjusting key or wrench before turning the power tool on.**

A wrench or a key left attached to a rotating part of the power tool may result in personal injury.

- e) Do not overreach. Keep proper footing and balance at all times.**

This enables better control of the power tool in unexpected situations.

- f) Dress properly. Do not wear loose clothing or jewellery. Keep your hair, clothing and gloves away from moving parts.**

Loose clothes, jewellery or long hair can be caught in moving parts.

- g) If devices are provided for the connection of dust extraction and collection facilities, ensure these are connected and properly used.**

Use of dust collection can reduce dust-related hazards.

4) Power tool use and care

- a) Do not force the power tool. Use the correct power tool for your application.**

The correct power tool will do the job better and safer at the rate for which it was designed.

- b) Do not use the power tool if the switch does not turn it on and off.**

Any power tool that cannot be controlled with the switch is dangerous and must be repaired.

- c) Disconnect the plug from the power source and/or the battery pack from the power tool before making any adjustments, changing accessories, or storing power tools.**

Such preventive safety measures reduce the risk of starting the power tool accidentally.

- d) Store idle power tools out of the reach of children and do not allow persons unfamiliar with the power tool or these instructions to operate the power tool.**

Power tools are dangerous in the hands of untrained users.

- e) Maintain power tools. Check for misalignment or binding of moving parts, breakage of parts and any other condition that may affect the power tool's operation.**

If damaged, have the power tool repaired before use.

Many accidents are caused by poorly maintained power tools.

- f) Keep cutting tools sharp and clean.**

Properly maintained cutting tools with sharp cutting edges are less likely to bind and are easier to control.

- g) Use the power tool, accessories and tool bits etc. in accordance with these instructions, taking into account the working conditions and the work to be performed.**

Use of the power tool for operations different from those intended could result in a hazardous situation.

5) Battery tool use and care

- a) Recharge only with the charger specified by the manufacturer.**

A charger that is suitable for one type of battery pack may create a risk of fire when used with another battery pack.

- b) Use power tools only with specifically designated battery packs.**

Use of any other battery packs may create a risk of injury and fire.

- c) When battery pack is not in use, keep it away from other metal objects, like paper clips, coins, keys, nails, screws or other small metal objects, that can make a connection from one terminal to another.**

Shorting the battery terminals together may cause burns or a fire.

- d) Under abusive conditions, liquid may be ejected from the battery; avoid contact. If contact accidentally occurs, flush with water. If liquid contacts eyes, additionally seek medical help.**

Liquid ejected from the battery may cause irritation or burns.

6) Service

- a) Have your power tool serviced by a qualified repair person using only identical replacement parts.**

This will ensure that the safety of the power tool is maintained.

PRECAUTION

Keep children and infirm persons away.

When not in use, tools should be stored out of reach of children and infirm persons.

– WARNING –

To reduce the risk of injury, user must read instruction manual.

WARNING

Some dust created by power sanding, sawing, grinding, drilling, and other construction activities contains chemicals known to the State of California to cause cancer, birth defects or other reproductive harm. Some examples of these chemicals are:

- Lead from lead-based paints,
- Crystalline silica from bricks and cement and other masonry products, and
- Arsenic and chromium from chemically-treated lumber.

Your risk from these exposures varies, depending on how often you do this type of work. To reduce your exposure to these chemicals: work in a well ventilated area, and work with approved safety equipment, such as those dust masks that are specially designed to filter out microscopic particles.

DUST EXTRACTOR SYSTEM SAFETY WARNINGS

1. Before using the cordless rotary hammer, be sure to read its instruction manual carefully.
2. Do not use the tool for any purposes other than those specified.
3. Follow the instruction manual when attaching the dust extractor system to the cordless rotary hammer, and when cleaning the dust extractor system, changing its filter, etc.
4. Use only the accessories and attachments that are specified.
Use only the accessories and attachments that are specified in this instruction manual and our company's catalogs.
5. Substances such as silica and asbestos are harmful to the human body. Perform anti-dust measures when working with materials that contain such substances.
6. Wear safety goggles and a dust mask.
7. If any tools or equipment are accidentally dropped or bumped, carefully inspect them to make sure there is no damage, cracks, or deformation.
Using tools or equipment with damage, cracks, or deformation may result in injury.

**SAVE THESE INSTRUCTIONS
AND
MAKE THEM AVAILABLE TO OTHER USERS
AND
OWNERS OF THIS TOOL!**

FUNCTIONAL DESCRIPTION

NOTE

The information contained in this Instruction Manual is designed to assist you in the safe operation and maintenance of the power tool.

NEVER operate, or attempt any maintenance on the tool unless you have first read and understood all safety instructions contained in this manual.

Some illustrations in this Instruction Manual may show details or attachments that differ from those on your own power tool.

NAME OF PARTS

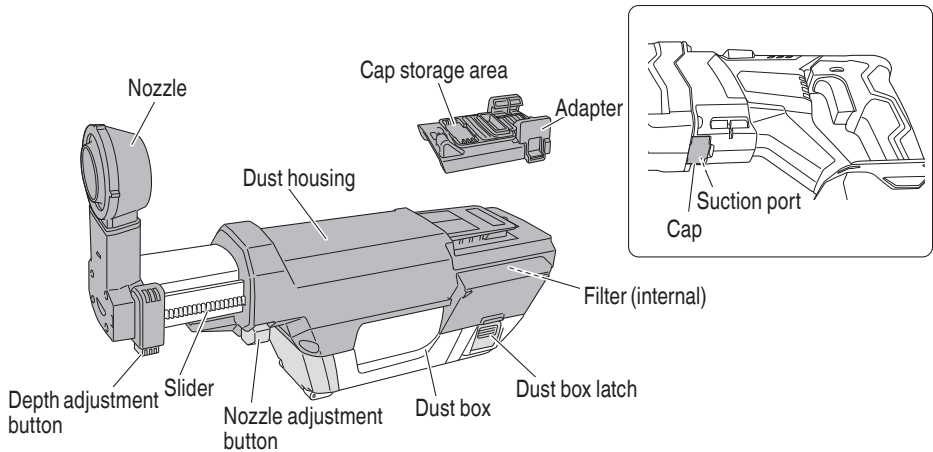
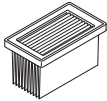
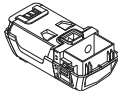
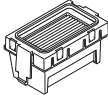



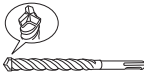
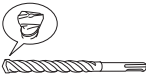


Fig. 1

OPTIONAL ACCESSORIES (sold separately)

<p><input type="radio"/> Filter Replace the filter about once every 100 times the dust extractor system becomes full. Code No. 376779</p> 	<p><input type="radio"/> Dust box Code No. 376772</p> 	<p><input type="radio"/> Filter set Filter included. Code No. 376776</p> 	<p><input type="radio"/> Adapter Code No. 376765</p> 
<p><input type="radio"/> Nozzle seal Replace this part if it becomes cracked or damaged, or if it loses its elasticity. Code No. 377175</p> 	<p><input type="radio"/> Brush cap Replace this part if the bristles are falling out or becoming shorter from friction. Code No. 370496</p> 	<p><input type="radio"/> Deltagon bit (SDS plus shank)</p> 	<p><input type="radio"/> Drill bit (SDS plus shank)</p> 

Optional accessories are subject to change without notice.

SPECIFICATIONS

Model	Dust Extractor System
Dust box capacity	0.16 gal. (0.6 L)
Max. stroke	3-15/16" (100 mm)
Max. hole-drilling depth	3-11/32" (85 mm)
Diameter of drill	11/64"–25/32" (4.3–20 mm)
Max. length of drill (effective length)	3-15/16" (100 mm) or shorter
Dimensions (W × H × D)	4-1/16" × 8-25/32" × 15-15/32" (103 × 223 × 393 mm)
Weight	2.4 lbs. (1.1 kg)

ASSEMBLY AND OPERATION

APPLICATIONS

Dust extractor system specialized for drilling concrete, for use with the following metabo HPT cordless rotary hammers:

DH3628DD / DH36DPE / DH18DPC

NOTE

This dust extractor system is only to be used for drilling concrete.

HOW TO USE

1. Attaching and removing the dust extractor system

⚠ WARNING

- When attaching, removing, or adjusting the dust extractor system, in order to prevent an unlikely accident, be sure to turn off the tool's switch, and remove the tool's battery and tool bit. (Fig. 2)

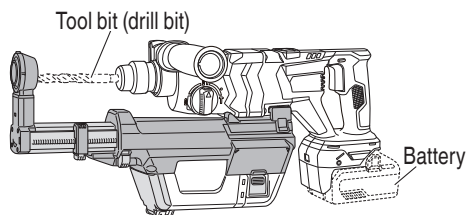


Fig. 2

- Make sure the dust extractor system is fully attached. If not fully attached, the dust extractor system could come loose and result in injury.

<Attaching the dust extractor system>

- (1) Remove cap from tool and store in adapter

NOTE

To avoid misplacing the removed cap, store it in the adapter's cap storage area. (Fig. 3)

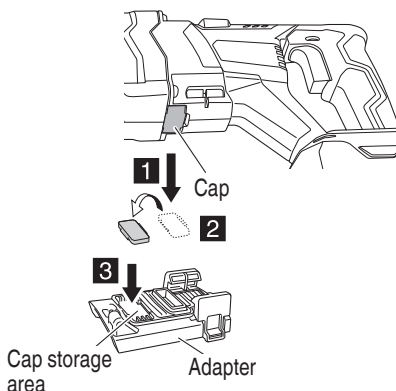


Fig. 3

- (2) Install the adapter to the product
Insert the adapter's pin into the gear cover's hole and fasten it with the latch. (Fig. 4)

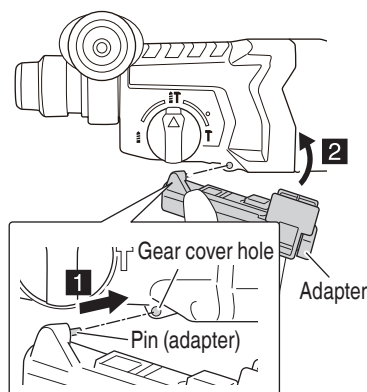


Fig. 4

- (3) To install the dust extractor system, insert the dust extractor system's rail into the adapter's rail slot and press until a click is heard. (Fig. 5)

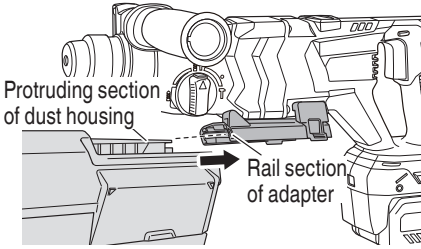


Fig. 5

CAUTION

First install the adapter to the tool and then install the dust extractor system. If the adapter is first attached to the dust extractor system, the latch is locked, and the dust extractor system cannot be installed to the tool. Also, doing so can result in damage, drop or injury. (Fig. 6)

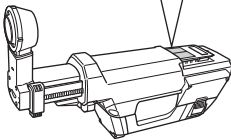
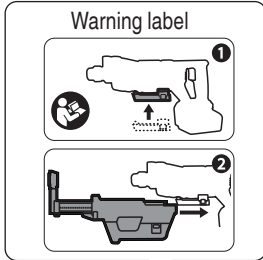


Fig. 6

<Removing the dust extractor system>

- (1) Hold the dust extractor system's slider in one hand and remove the dust extractor system with the other hand by using the index finger to slide the button at the rear of the unit. (Fig. 7)

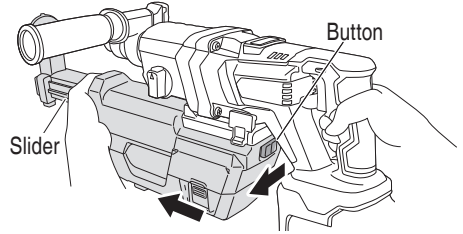


Fig. 7

- (2) Press the latches on both sides and pull the pin from the hole to remove the adapter. (Fig. 8)

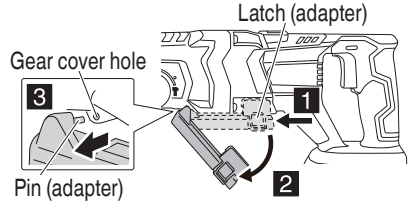


Fig. 8

- (3) Remove the cap from the adapter and attach it to the suction port. (Fig. 9, Fig. 10)

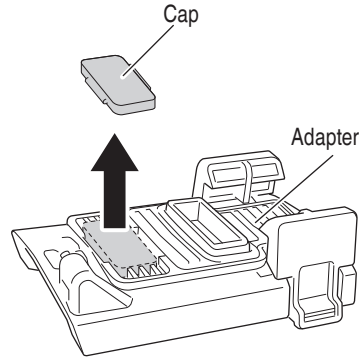


Fig. 9

Insert the protruding part of the cap into the groove on the gear-cover side, then press in the entire cap. (Fig. 10)

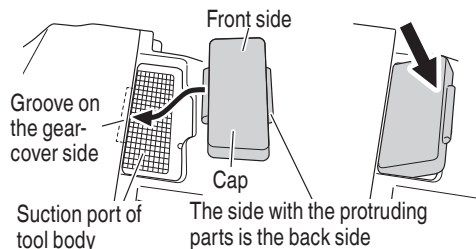


Fig. 10

NOTE

When the dust extractor system is not in use, keep the cap attached to the tool.
Using the tool with the cap removed will decrease work output.
In addition, dust could clog the net and result in malfunction.
The cap has a right side and a wrong side. The cap can only be attached on the right side.

2. Adjusting the nozzle position

NOTE

If the nozzle position adjustment button is pressed to release the lock while the nozzle is in any position other than fully extended, the nozzle may pop outward.

- (1) Press the nozzle position adjustment button and ensure that the nozzle is in the fully extended position. (Fig. 11)
- (2) While holding the tool in a way so that the switch does not get pressed, place the nozzle against the material to be drilled. (Fig. 11)

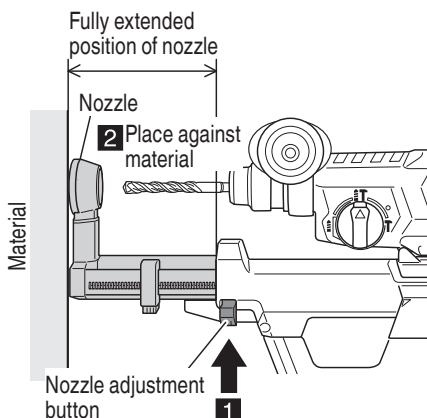


Fig. 11

- (3) While pushing the nozzle adjustment button in the direction of the arrow, press the tool toward the material, allowing the nozzle position to shorten until it reaches the position where the drill bit comes into contact with the material. (Fig. 12)

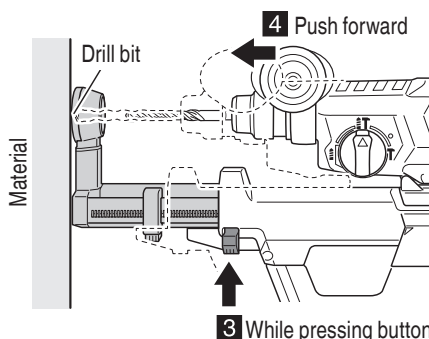


Fig. 12

NOTE

If the nozzle position is shortened before the nozzle adjustment button is pressed, the nozzle won't be locked in position even if the nozzle adjustment button lock is released.

- (4) Release the nozzle adjustment button to lock the position of the nozzle. (Fig. 13)

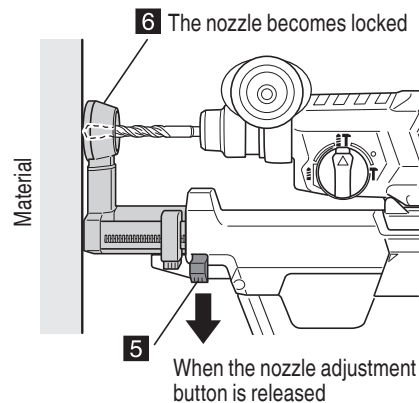


Fig. 13

3. Adjust the drilling depth

NOTE

- The maximum drilling depth when using the dust extractor system is 85 mm.
- The dust extractor system can be used with drill bits with diameters of 4.3–20 mm and effective lengths of 50–100 mm.

If using a drill bit with a diameter of greater than 20 mm, remove the dust extractor system.

Press the depth adjustment button in the direction of the arrow to release the lock, move the nozzle to set the stroke equal to the depth that you want to drill, and release the depth adjustment button to lock the position. (Fig. 14)

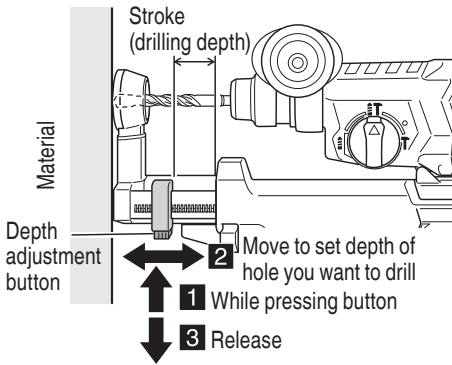


Fig. 14

When the end of the nozzle and the tip of the drill bit are aligned, the distance that the nozzle can move is drilling depth. (Fig. 15)

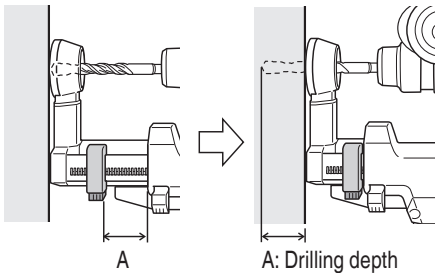


Fig. 15

4. Drilling

NOTE

- The dust extractor system is only to be used when drilling concrete. Do not use it while drilling metal or wood.
- Do not use the dust extractor system with wet concrete or in a wet environment. Doing so may result in a malfunction.

- (1) Grasp the nozzle with your hand and pull it back slightly, and align the tip of the drill bit with the spot to be drilled. (Fig. 16)

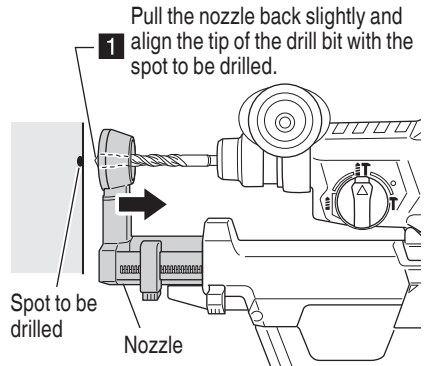


Fig. 16

- (2) Release the nozzle and allow it to make firm contact with the surface of the concrete. (Fig. 17)

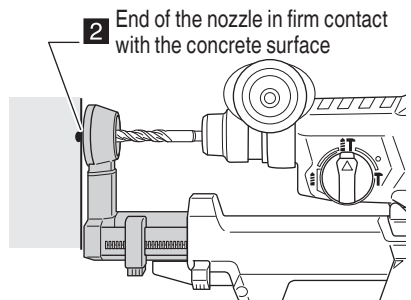


Fig. 17

NOTE

If the nozzle is raised off the surface, the dust extraction performance declines.

- (3) With the end of the nozzle still in firm contact with the surface of the concrete, proceed with drilling. (Fig. 18)

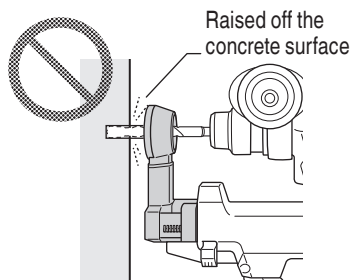
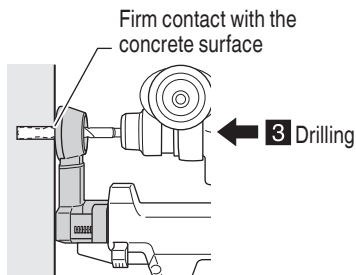


Fig. 18

5. Emptying the dust

If too much dust is collected in the dust box, the dust extraction performance declines.

Additionally, if the dust box is full, dust may leak out of the dust extractor system.

Inspect the dust extractor system regularly, and dispose of the dust before it becomes full.

⚠ WARNING

When emptying the dust, in order to prevent an unlikely accident, be sure to turn off the tool's switch and remove the rechargeable battery from the tool body.

⚠ CAUTION

Wear a dust mask.

- (1) Detach the dust box (Fig. 19)

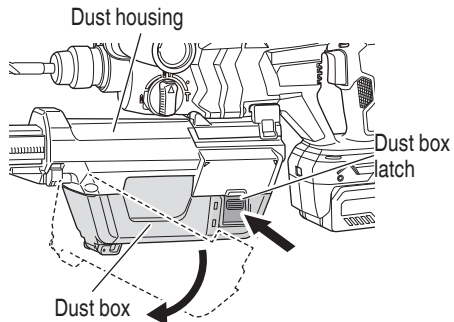


Fig. 19

- (2) Clean out the dust in the cyclone chamber (Fig. 20)

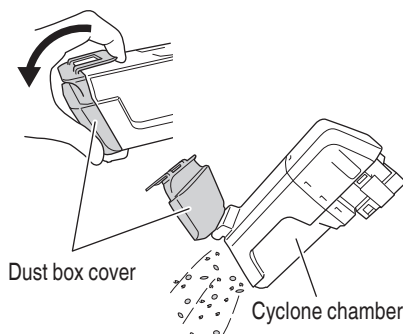


Fig. 20

- (3) Press in the 2 latches on the sides of the filter cover, then pull up and remove the filter set. (Fig. 21)

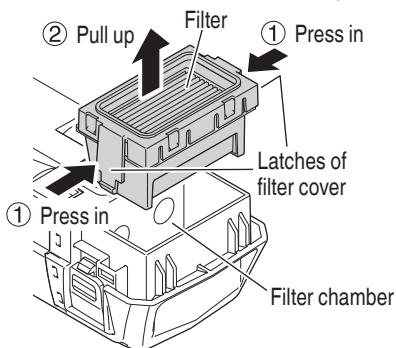


Fig. 21

Clean out the dust in the filter chamber (Fig. 22)

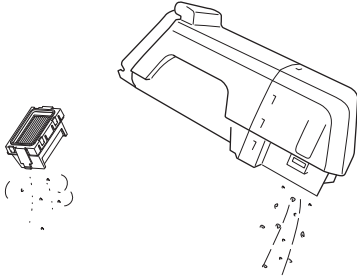


Fig. 22

In addition, clean off all dust attached to the surface of the filter.

NOTE

Do not directly touch the filter with a hard brush or similar tool, or blast the backside of the filter with compressed air. Also, do not wash the filter with water. Doing so may scratch the filter and/or shorten its life.

- (4) Make sure the filter is positioned correctly.
- (5) Attach the dust box to the dust housing. (Fig. 23)

Cylindrical protrusion Round cavity

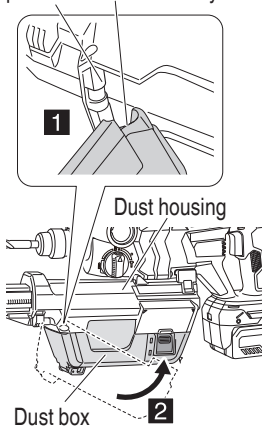


Fig. 23

NOTE

Make sure there is no dust attached to the latch before fitting the latch. Failure to do so may result in the dust box falling off during use.

- 6. Replacing the filter
If the filter inside the dust box becomes clogged, the dust extraction performance declines. As a guideline, replace the filter after every 100 times that the dust box becomes full.

⚠ WARNING

When replacing the filter, in order to prevent an unlikely accident, be sure to turn off the tool's switch and remove the battery from the tool body.

- (1) Insert a flat-head screwdriver into each of the four catches of the filter cover and remove the cover. (Fig. 24)

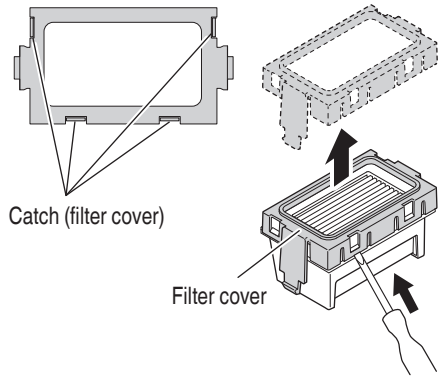


Fig. 24

- (2) Remove the filter from the inside and replace it with a new filter. (Fig. 25)

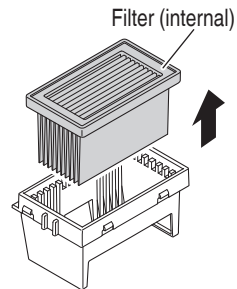


Fig. 25

- (3) Attach the filter cover.

7. Replacing the nozzle seal and brush cap (Fig. 26, 27)
As the nozzle seal and brush cap wear out, the dust extracting performance declines.
If the nozzle seal or brush cap is worn out, replace it with a new one.

- ① Use pliers or a similar tool remove the C-ring, and replace the brush cap with a new one.
- ② Align the groove of the new brush cap with the bump on the nozzle and fit them together.
- ③ Reattach the C-ring in its original position, making sure that it is secure and won't fall off.

⚠ WARNING

**When replacing the nozzle seal or brush cap, in order to prevent an unlikely accident, be sure to turn off the tool's switch and remove the battery from the tool body.
Also, remove the tool bit.**

- (a) Replacing the nozzle seal (Fig. 26)

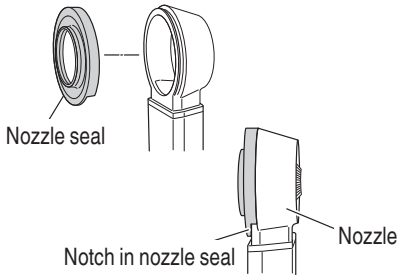


Fig. 26

⚠ CAUTION

To prevent accident, make sure to turn the switch off, then disconnect the battery and the drilling tool.

- ① Remove the nozzle seal as shown in the figure.
- ② Attach a new nozzle seal. Align the nozzle seal so that its notch fits onto the outer shape of the nozzle.

- (b) Replacing the brush cap (Fig. 27)

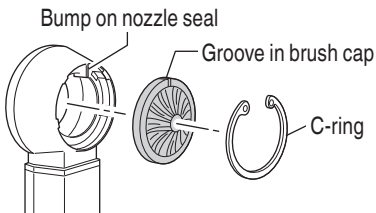


Fig. 27

⚠ CAUTION

To prevent accident, make sure to turn the switch off, then disconnect the battery and the drilling tool.

MAINTENANCE AND INSPECTION

⚠ WARNING

When performing inspections or maintenance, be sure to turn off the tool's switch and remove the dust extractor system from the tool body.

1. Inspecting the body of the dust extractor system

Regularly inspect the places where the various parts of the dust extractor system fit together to make sure there is no rattling or loose parts.

If the dust extractor system is used while parts of it are loose, there is a risk of injury or other accidents. If there is anything abnormal with the dust extractor system, consult the metabo HPT Authorized Service Center.

2. Cleaning on the outside

When the power tool is stained, wipe with a soft dry cloth or a cloth moistened with soapy water. Do not use chloric solvents, gasoline or paint thinner, for they melt plastics.

3. Replacing the nozzle seal and brush cap

As the nozzle seal and brush cap wear out, the dust extracting performance declines.

If the nozzle seal or brush cap is worn out, replace it with a new one.

(a) Replacing the nozzle seal (Fig. 28)

① Remove the nozzle seal as shown in the figure.

② Attach a new nozzle seal. Align the nozzle seal so that its notch fits onto the outer shape of the nozzle.

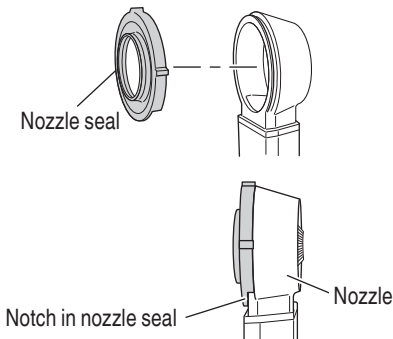


Fig. 28

(b) Replacing the brush cap (Fig. 29)

① Use pliers or a similar tool remove the C-ring, and replace the brush cap with a new one.

② Align the groove of the new brush cap with the bump on the nozzle and fit them together.

③ Reattach the C-ring in its original position, making sure that it is secure and won't fall off.

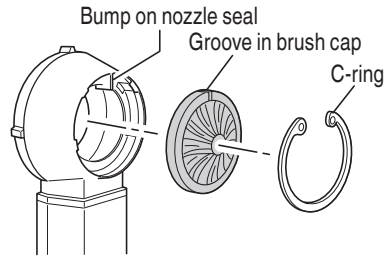


Fig. 29

4. Storage

○ Store the power tool in a place in which the temperature is less than 50°C and out of reach of children.

○ When storing the dust extractor system, press the nozzle adjustment button to put the nozzle in the fully extended position. If unable to store with the nozzle fully extended, the nozzle can be shortened to about half its size (Fig. 30).

Keeping the nozzle fully contracted inside the dust extractor system may result in its pressing force becoming weaker.

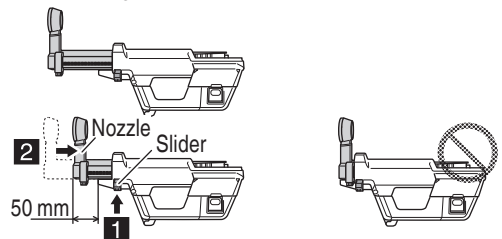


Fig. 30

⚠ CAUTION

To prevent accident, make sure to turn the switch off, then disconnect the battery and the drilling tool.

○ If the nozzle doesn't return to the fully extended position, pull it outward with your hand. Repeatedly extending and contracting it will help it recover.

⚠ CAUTION
In the operation and maintenance of power tools, the safety regulations and standards prescribed in each country must be observed.

Important notice on the batteries for the metabo HPT cordless power tools

Please always use one of our designated genuine batteries. We cannot guarantee the safety and performance of our cordless power tool when used with batteries other than these designated by us, or when the battery is disassembled and modified (such as disassembly and replacement of cells or other internal parts).

NOTE

Due to metabo HPT's continuing program of research and development, the specifications herein are subject to change without prior notice.

TROUBLESHOOTING

Use the inspections in the table below if the tool does not operate normally. If this does not remedy the problem, consult your dealer or the metabo HPT Authorized Service Center.

Symptom	Possible cause	Remedy
The dust extraction performance has declined, or dust is leaking out of the dust extractor system.	The dust box is full.	Empty the dust from the dust box and clean the dust box.
	The filter box is clogged.	Clean the filter. Or, replace the filter with a new one.
	The filter, brush cap, or nozzle seal is cracked, damaged, or worn out.	Replace it with a new one.
The position of the nozzle won't lock.	The following incorrect steps were performed: ① The nozzle was set to the desired position ② The nozzle adjustment button was pressed	Perform the following steps: ① While pressing and holding the nozzle adjustment button... ② Set the nozzle to the desired position ③ Release the nozzle adjustment button

CONSIGNES DE SÉCURITÉ IMPORTANTES

Lire toutes les précautions de sécurité, les avertissements et les instructions de fonctionnement dans ce mode d'emploi avant d'utiliser ou d'entretenir cet outil motorisé.

La plupart des accidents causés lors de l'utilisation ou de l'entretien de l'outil motorisé proviennent d'un non respect des règles ou précautions de base de sécurité. Un accident peut la plupart du temps être évité si l'on reconnaît une situation de danger potentiel avant qu'elle ne se produise, et en observant les procédures de sécurité appropriées.

Les précautions de base de sécurité sont mises en évidence dans la section "SECURITE" de ce mode d'emploi et dans les sections qui contiennent les instructions de fonctionnement et d'entretien.

Les dangers qui doivent être évités pour prévenir des blessures corporelles ou un endommagement de la machine sont identifiés par AVERTISSEMENTS sur l'outil motorisé et dans ce mode d'emploi.

NE JAMAIS utiliser cet outil motorisé d'une manière qui n'est pas spécifiquement recommandée par metabo HPT.

SIGNIFICATION DES MOTS D'AVERTISSEMENT

AVERTISSEMENT indique des situations potentiellement dangereuses qui, si elles sont ignorées, pourraient entraîner la mort ou de sérieuses blessures.

PRÉCAUTION indique des situations dangereuses potentielles qui, si elles ne sont pas évitées, peuvent entraîner de mineures et légères blessures ou endommager la machine.

REMARQUE met en relief des informations essentielles.

SÉCURITÉ

AVERTISSEMENTS DE SÉCURITÉ GÉNÉRAUX CONCERNANT LES OUTILS ÉLECTRIQUES

AVERTISSEMENT

Lire tous les avertissements de sécurité et toutes les instructions

Tout manquement à observer ces avertissements et instructions peut engendrer des chocs électriques, des incendies et/ou des blessures graves.

Conservez tous les avertissements et toutes les instructions pour vous y référer ultérieurement.

Le terme "outil électrique", utilisé dans les avertissements, se réfère aux outils électriques (câblé) ou aux outils à piles (sans fil).

1) Sécurité de l'aire de travail

a) Maintenir l'aire de travail propre et bien éclairée.

Les endroits encombrés ou sombres sont propices aux accidents.

b) Ne pas utiliser d'outils électriques en présence de liquides, gaz ou poussière inflammables, au risque de provoquer une explosion.

Les outils électriques créent des étincelles susceptibles d'enflammer la poussière.

c) Ne pas laisser les enfants et les visiteurs s'approcher de vous lorsque vous utilisez un outil électrique.

Les distractions peuvent faire perdre le contrôle.

2) Sécurité électrique

a) Les prises de l'outil électrique doivent correspondre à la prise secteur.

Ne jamais modifier la prise.

Ne pas utiliser d'adaptateurs avec les outils électriques mis à la masse.

Les prises non modifiées et les prises secteurs correspondantes réduisent les risques de choc électrique.

b) Éviter tout contact avec les surfaces mises à la masse telles que les tuyaux, radiateurs, bandes et réfrigérateurs.

Le risque de choc électrique est accru en cas de mise à la masse du corps.

c) Ne pas exposer les outils électriques à la pluie ou à des conditions humides.

Si l'eau pénètre dans l'outil, cela augmente les risques de choc électrique.

d) Ne pas utiliser le cordon à tort. Ne jamais utiliser le cordon pour transporter ou débrancher l'outil électrique.

Maintenir le cordon loin de la chaleur, de l'huile, des bords pointus ou des pièces mobiles.

Les cordons endommagés ou usés augmentent les risques de choc électrique.

- e) **En cas d'utilisation d'un outil électrique à l'extérieur, utiliser un cordon de rallonge adapté à un usage extérieur.**
L'utilisation d'un cordon adapté à l'usage extérieur réduit les risques de choc électrique.
- f) **Si vous devez utiliser un outil électrique dans un endroit humide, utilisez une alimentation protégée contre les courants résiduels.**
L'utilisation d'un dispositif de protection contre les courants résiduels réduit le risque de choc électrique.
- 3) **Sécurité personnelle**
- a) **Restez alerte, regarder ce que vous faites et usez de votre bon sens en utilisant un outil électrique.**
Ne pas utiliser d'outil électrique si vous êtes sous l'influence de drogues, d'alcool ou de médicaments.
Pendant l'utilisation d'outils électrique, un instant d'inattention peut entraîner des blessures graves.
- b) **Utiliser un équipement de protection individuelle. Toujours porter des verres de protection.**
L'utilisation d'équipements de protection tels que les masques anti-poussière, les chaussures de sécurité anti-dérapantes, les casques ou les protections auditives dans des conditions appropriées réduisent les risques de blessures.
- c) **Empêcher les démarrages intempestifs. Veiller à ce que l'interrupteur soit en position d'arrêt avant de brancher à une source d'alimentation et/ou une batterie, de ramasser l'outil au sol ou de le transporter.**
Transporter les outils électriques avec le doigt sur l'interrupteur ou brancher les outils électriques avec l'interrupteur en position de marche peut entraîner des accidents.
- d) **Retirer toute clé de sécurité ou clé avant de mettre l'outil électrique en marche.**
Laisser une clé ou une clé de sécurité sur une partie mobile de l'outil électrique peut engendrer des blessures.
- e) **Ne pas trop se pencher. Toujours garder une bonne assise et un bon équilibre pendant le travail.**
Cela permet un meilleur contrôle de l'outil électrique dans des situations imprévisibles.
- f) **Porter des vêtements adéquats. Ne pas porter de vêtements amples ni de bijoux. Maintenir les cheveux, les vêtements et les gants loin des pièces mobiles.**

Les vêtements amples ou les cheveux longs peuvent se prendre dans les pièces mobiles.

- g) **En cas de dispositifs destinés au raccordement d'installations d'extraction et de recueil de la poussière, veiller à ce qu'ils soient correctement raccordés et utilisés.**
L'utilisation d'un dispositif de collecte de la poussière peut réduire les dangers associés à la poussière.
- 4) **Utilisation et entretien d'un outil électrique**
- a) **Ne pas forcer sur l'outil électrique. Utiliser l'outil électrique adapté à vos travaux.**
Le bon outil électrique fera le travail mieux et en toute sécurité au régime pour lequel il a été conçu.
- b) **Ne pas utiliser l'outil électrique si l'interrupteur ne le met pas en position de marche et d'arrêt.**
Tout outil ne pouvant être contrôlé par l'interrupteur est dangereux et doit être réparé.
- c) **Débrancher la prise ou retirer la batterie avant de procéder à des réglages, au remplacement des accessoires ou au stockage des outils électriques.**
Ces mesures préventives de sécurité réduisent les risques de démarrage accidentel de l'outil électrique.
- d) **Stockez les outils électriques inutilisés hors de la portée des enfants et ne pas laisser des personnes non familiarisées avec l'outil ou ces instructions utiliser l'outil électrique.**
Les outils électriques sont dangereux entre les mains d'utilisateurs non habilités.
- e) **Entretenir les outils électriques. Vérifier l'absence de mauvais alignement ou d'arrêt, d'endommagement de pièces ou toute autre condition susceptible d'affecter l'opération de l'outil.**
Si l'outil est endommagé, le faire réparer avant utilisation.
De nombreux accidents sont dus à des outils mal entretenus.
- f) **Maintenir les outils coupants aiguisés et propres.**
Des outils coupants bien entretenus avec des bords aiguisés sont moins susceptibles de se coincer et plus simples à contrôler.
- g) **Utiliser l'outil électrique, les accessoires et les mèches de l'outil, etc. conformément à ces instructions en tenant compte des conditions d'utilisation et du travail à réaliser.**
L'utilisation de l'outil électrique pour des opérations différentes de celles pour lesquelles il a été conçu est dangereuse.
- 5) **Utilisation et entretien de la batterie**
- a) **Recharger la batterie uniquement avec le chargeur recommandé par le fabricant.**

Un chargeur inadéquat pour le type de batterie peut entraîner un risque d'incendie en cas d'utilisation avec une autre batterie.

b) Utiliser les outils électriques uniquement avec les batteries spécifiées.

L'utilisation d'autres batteries peut entraîner un risque de blessures et d'incendie.

c) Lorsque la batterie est inutilisée, la garder à l'écart d'objets métalliques comme des trombones, des pièces de monnaie, des clés, des clous, des vis ou autres petits objets métalliques pouvant raccorder les bornes.

La connexion des bornes peut entraîner des blessures ou un incendie.

d) En cas d'utilisation dans des conditions extrêmes, du liquide peut être émis de la batterie. Éviter tout contact. en cas de contact accidentel, rincer à l'eau. Si le liquide entre en contact avec les yeux, consulter un médecin.

Le liquide émis par la batterie peut entraîner des irritations et des brûlures.

6) Service

a) Faire entretenir l'outil électrique par un technicien habilité à l'aide de pièces de rechange identiques exclusivement.

Cela garantira le maintien de la sécurité de l'outil électrique.

⚠ PRECAUTIONS

Maintenir les enfants et les personnes infirmes éloignés.

Quand les outils ne sont pas utilisés, ils doivent être rangés hors de portée des enfants et des personnes infirmes.

—AVERTISSEMENT—

Pour réduire tout risque de blessure, l'utilisateur doit lire le mode d'emploi.

AVERTISSEMENT

La poussière résultant d'un ponçage, d'un sciage, d'un meulage, d'un perçage ou de toute autre activité de construction renferme des produits chimiques qui sont connus par l'Etat de Californie pour causer des cancers, des défauts de naissance et autres anomalies de reproduction. Nous énumérons ci-dessus certains de ces produits chimiques:

- Plomb des peintres à base de plomb,
- Silice cristalline des briques et du ciment et autres matériaux de maçonnerie, et
- Arsenic et chrome du bois d'oeuvre traité chimiquement.

Le risque d'exposition à ces substances varie en fonction de la fréquence d'exécution de ce genre de travail. Pour réduire l'exposition à ces produits chimiques, travailler dans un lieu bien ventilé, et porter un équipement de protection agréé, par exemple un masque anti-poussière spécialement conçu pour filter les particules microscopiques.

AVERTISSEMENTS DE SÉCURITÉ POUR LE SYSTÈME EXTRACTEUR DE POUSSIÈRE

1. Avant d'utiliser le marteau rotatif sans fil, s'assurer de lire attentivement son manuel d'instruction.
2. Ne pas utiliser l'appareil à d'autres fins que celles spécifiées.
3. Suivez le manuel d'instruction lors de la fixation du système extracteur de poussière au marteau rotatif sans fil, et lors du nettoyage du système extracteur de poussière, du changement de son filtre, etc.
4. Utiliser seulement les accessoires et équipements spécifiés.
Utiliser seulement les accessoires et équipements spécifiés dans ce manuel d'instructions et dans les catalogues de notre compagnie.
5. Les substances telles que l'amiante et la silice sont nocives pour le corps humain. Effectuez les mesures anti-poussière quand vous travaillez avec des matériaux contenant ces substances.
6. Porter des lunettes à coques et un masque antipoussière.
7. Si un outil ou un équipement échappe accidentellement ou subit un impact, l'inspecter soigneusement pour s'assurer qu'il n'y a pas de dommages, fissures ou de déformations.
L'utilisation d'outils ou d'équipement présentant des dommages, fissures ou déformations peut causer des blessures.

**CONSERVER CES INSTRUCTIONS
ET
LES METTRE A LA DISPOSITION DES AUTRES
UTILISATEURS
ET
PROPRIETAIRES DE CET OUTIL!**

DESCRIPTION FONCTIONNELLE

REMARQUE

Les informations contenues dans ce mode d'emploi sont conçues pour assister l'utilisateur dans une utilisation sans danger et un entretien de l'outil motorisé.

NE JAMAIS utiliser ni entreprendre une révision de l'outil sans avoir d'abord lu et compris toutes les instructions de sécurité contenues dans ce manuel.

Certaines illustrations dans ce mode d'emploi peuvent montrer des détails ou des accessoires différents de ceux de l'outil motorisé utilisé.

NOM DES PARTIES

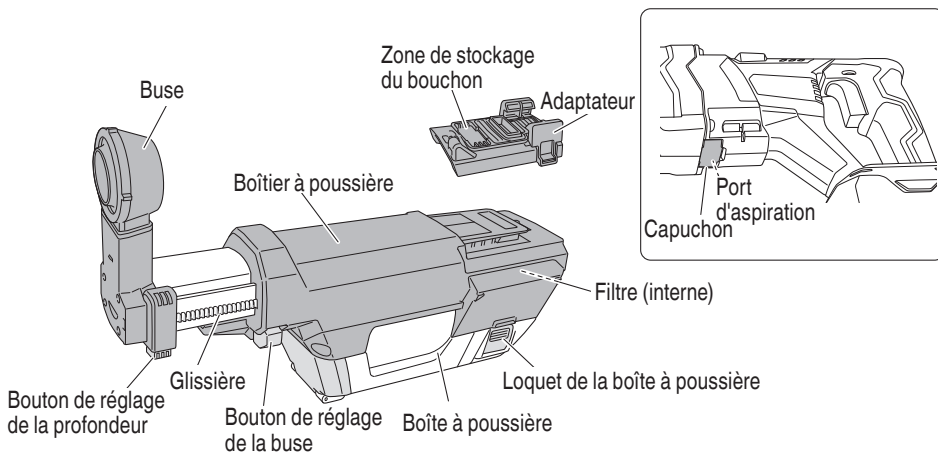
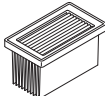
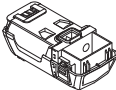
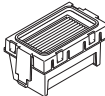

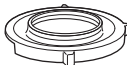

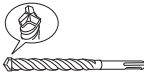



Fig. 1

ACCESSOIRES EN OPTION (vendus séparément)

<p>○ Filtere Remplacer le filtre environ toutes les 100 fois que le système d'extraction de poussière est plein. Code N° 376779</p> 	<p>○ Boîte à poussière Code N° 376772</p> 	<p>○ Ensemble filtre Filtre inclus. Code N° 376776</p> 	<p>○ Adaptateur Code N° 376765</p> 
<p>○ Joint de buse Remplacer cette pièce si elle est craquelée ou endommagée, ou si elle perd son élasticité. Code N° 377175</p> 	<p>○ Capuchon de la brosse Remplacer cette pièce si les poils tombent ou raccourcissent à cause de la friction. Code N° 370496</p> 	<p>○ Mèche Deltagon (Tige SDS plus)</p> 	<p>○ Mèche de foret (Tige SDS plus)</p> 

Les accessoires en option sont sujets à changement sans préavis.

SPÉCIFICATIONS

Modèle	Système extracteur de poussière
Capacité de la boîte à poussière	0,16 gal. (0.6 L)
Course max.	3-15/16" (100 mm)
Profondeur max. de perçage de trou	3-11/32" (85 mm)
Diamètre de foret	11/64"–25/32" (4,3–20 mm)
Longueur max. de foret (longueur effective)	3-15/16" (100 mm) ou moins
Dimensions (L x H x P)	4-1/16" x 8-25/32" x 15-15/32" (103 x 223 x 393 mm)
Poids	2,4 lbs. (1,1 kg)

ASSEMBLAGE ET FONCTIONNEMENT

APPLICATIONS

Système extracteur de poussière spécialisé pour le perçage du béton, pour une utilisation avec les marteaux rotatifs sans fil metabo HPT suivants : DH3628DD / DH36DPE / DH18DPC

REMARQUE

Ce système extracteur de poussière est utilisé uniquement pour le perçage du béton.

COMMENT UTILISER

1. Fixation et retrait du système d'extraction de poussière

⚠ AVERTISSEMENT

- Lors de la fixation, du retrait ou de l'ajustement du système d'extraction de poussière, afin d'éviter tout risque d'accident, assurez-vous d'éteindre le commutateur de l'outil, et retirez la batterie et la mèche de l'outil. (Fig. 2)

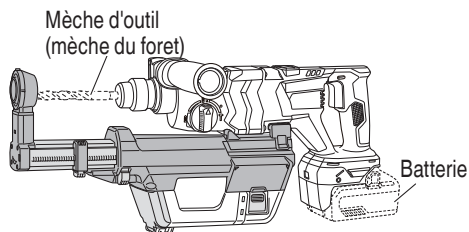


Fig. 2

- Assurez-vous que le système d'extraction de poussière soit complètement attaché. S'il n'est pas bien fixé, le système d'extraction de poussière peut prendre du jeu et provoquer des blessures.

<Installation du système d'extraction de poussière>

- (1) Retirez le capuchon de l'outil et rangez-le dans l'adaptateur

REMARQUE

Pour éviter de perdre le capuchon retiré, rangez-le dans la zone de stockage du capuchon de l'adaptateur. (Fig. 3)

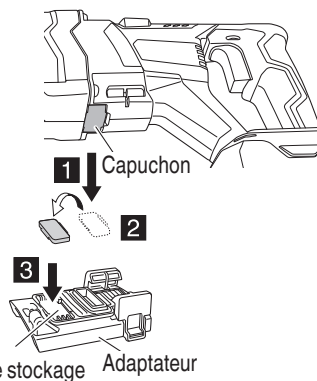


Fig. 3

- (2) Installez l'adaptateur sur le produit. Insérez la broche de l'adaptateur dans le trou du couvercle de l'engrenage et fixez-le avec le loquet (Fig. 4)

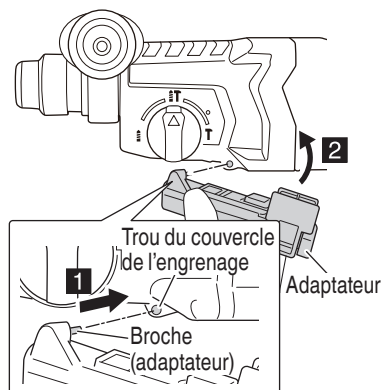


Fig. 4

- (3) Pour installer le système d'extraction de poussière, insérez le rail du système d'extraction de poussière dans la fente de rail de l'adaptateur et appuyez jusqu'à ce qu'un clic se fasse entendre. (Fig. 5)

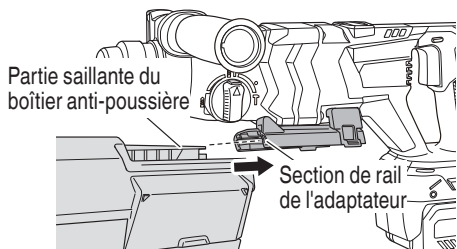


Fig. 5

⚠ PRÉCAUTION

Installez d'abord l'adaptateur sur l'outil, puis installez le système d'extraction de poussière. Si l'adaptateur est d'abord fixé au système d'extraction de poussière, le loquet est verrouillé et le système d'extraction de poussière ne peut pas être installé sur l'outil. En outre, cela peut entraîner des dommages, des chutes ou des blessures. (Fig. 6)

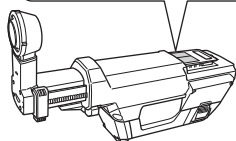
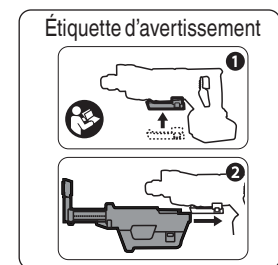


Fig. 6

<Dépose du système d'extraction de poussière>

- (1) Tenez la glissière du système d'aspiration de poussière d'une main et retirez le système d'aspiration de poussière de l'autre main en utilisant l'index pour faire glisser le bouton à l'arrière de l'unité. (Fig. 7)

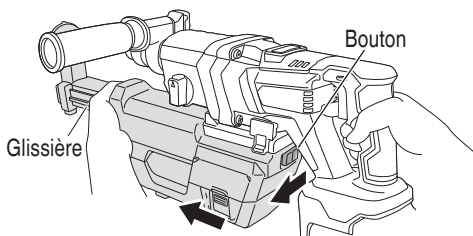


Fig. 7

- (2) Appuyez sur les loquets des deux côtés et retirez la broche du trou pour retirer l'adaptateur. (Fig. 8)

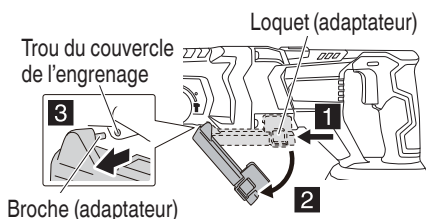


Fig. 8

- (3) Retirez le capuchon de l'adaptateur et fixez-le à l'orifice d'aspiration. (Fig. 9, Fig. 10)

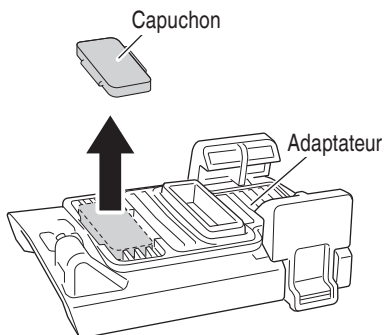


Fig. 9

Insérez la partie saillante du capuchon dans la rainure du côté du carter de l'engrenage, puis appuyez sur le capuchon. (Fig. 10)

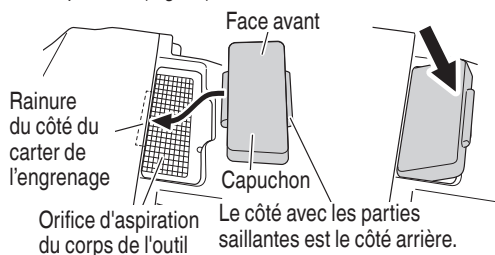


Fig. 10

REMARQUE

Lorsque le système d'extraction de poussière n'est pas utilisé, maintenez le capuchon attaché à l'outil. L'utilisation de l'outil avec le capuchon retiré réduira le rendement du travail.

De plus, la poussière peut obstruer le filet, ce qui peut entraîner un dysfonctionnement.

Le capuchon a un côté endroit et un côté envers. Le capuchon ne peut être fixé que sur le côté endroit.

2. Réglage de la position de la buse

REMARQUE

Si le bouton de réglage de la position de la buse est enfoncé pour débloquer la serrure alors que la buse n'est pas complètement déployée, la buse peut sauter vers l'extérieur.

- (1) Appuyer sur le bouton de réglage de la position de la buse et s'assurer que la buse est complètement déployée. (Fig. 11)
- (2) Tout en maintenant l'outil de telle manière à ce que le commutateur ne soit pas enfoncé, placer la buse contre le matériau à percer. (Fig. 11)

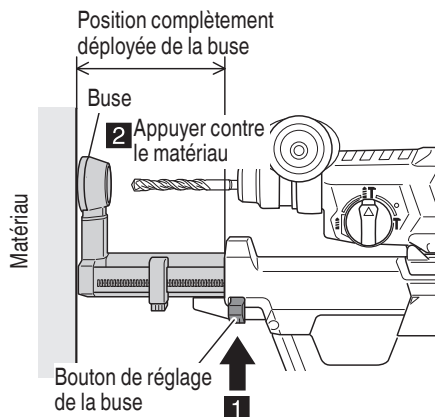


Fig. 11

- (3) Tout en appuyant sur le bouton de réglage de la buse dans le sens de la flèche, presser sur l'outil vers le matériau, ce qui permet à la position de la buse de baisser jusqu'à ce qu'elle atteigne la position où le foret entre en contact avec le matériau. (Fig. 12)

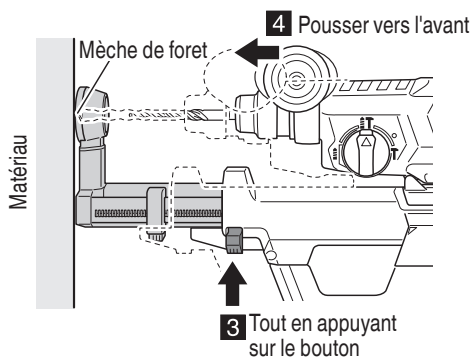


Fig. 12

REMARQUE

Si la position de la buse est réduite avant d'avoir appuyé sur le bouton de réglage de la buse, la buse ne sera pas verrouillée dans sa position, même si le bouton de réglage de la buse est relâché.

- (4) Relâcher le bouton d'ajustement de la buse pour verrouiller la position de la buse. (Fig. 13)

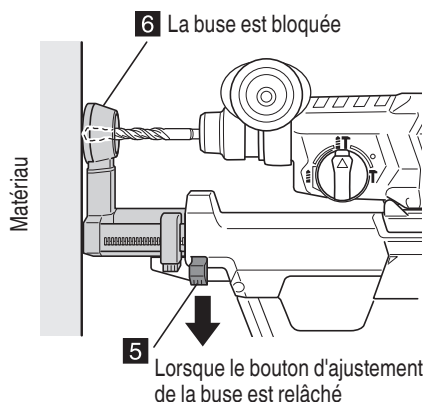


Fig. 13

3. Réglage de la profondeur de perçage

REMARQUE

- La profondeur maximale de perçage lors de l'utilisation du système d'extraction de poussière est de 85 mm.
- Le système d'extracteur de poussière peut être utilisé avec des mèches de foret de diamètres de 4,3–20 mm et de longueur effective de 50–100 mm. Lors de l'utilisation d'une mèche de foret d'un diamètre supérieur à 20 mm, retirer le système d'extraction de poussière.

Appuyer sur le bouton de réglage de la profondeur dans le sens de la flèche pour déverrouiller, déplacer la buse pour régler la course en la faisant correspondre à la profondeur de perçage souhaitée, puis relâcher le bouton de réglage de la profondeur pour verrouiller la position. (Fig. 14)

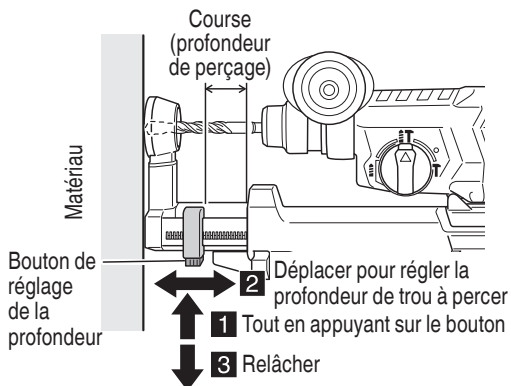


Fig. 14

Lorsque l'extrémité de la buse et de la pointe du foret sont alignées, la distance sur laquelle la buse peut être déplacée est la même que la profondeur de perçage. (Fig. 15)

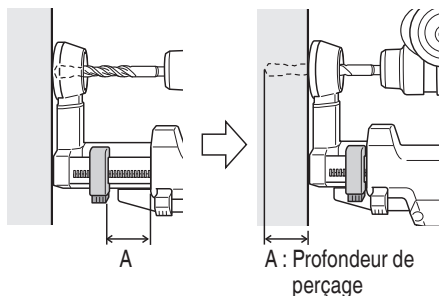


Fig. 15

4. Perçage

REMARQUE

- Le système d'extraction de poussière doit être utilisé uniquement pour le perçage du béton. Ne pas l'utiliser pour le perçage sur du métal ou du bois.
- Ne pas utiliser le système d'extraction de poussière sur du béton mouillé ou dans un environnement humide. Cela risque de provoquer un dysfonctionnement.

- (1) Saisir la buse avec la main et la tirer légèrement vers l'arrière, puis aligner l'extrémité du foret avec de l'endroit à percer. (Fig. 16)

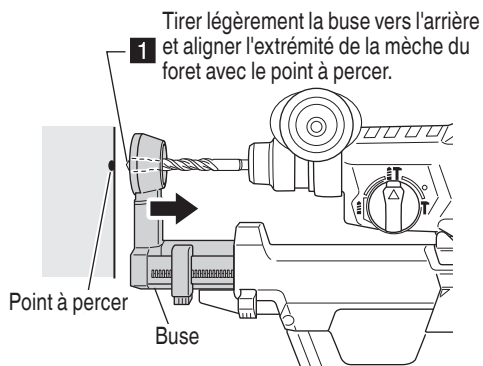


Fig. 16

- (2) Relâcher la buse et la laisser effectuer en contact ferme avec la surface du béton. (Fig. 17)

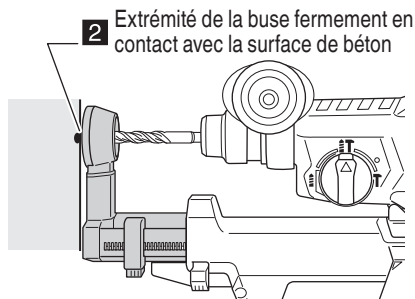


Fig. 17

REMARQUE

Si la buse dépasse de la surface, la performance d'extraction de poussière se dégrade.

- (3) En maintenant l'extrémité de la buse fermement en contact avec la surface du béton, procéder au perçage. (Fig. 18)

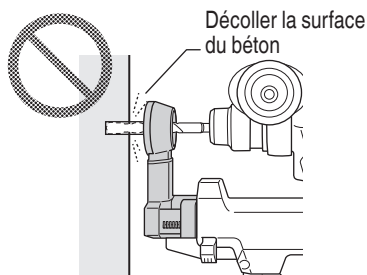
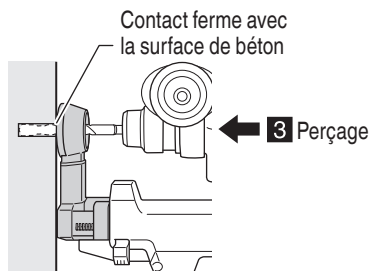


Fig. 18

5. Vidange de la poussière

S'il y a trop de poussière accumulée dans la boîte à poussière, les performances se dégradent.

De plus, lorsque la boîte à poussière est pleine, de la poussière risque de s'échapper du système d'extraction de poussière.

Inspecter régulièrement le système d'extraction de poussière et jeter la poussière avant qu'il ne soit plein.

⚠ AVERTISSEMENT

Lors de la vidange de la poussière, afin d'éviter tout risque d'accident, s'assurer d'éteindre le commutateur de l'outil et retirer la batterie rechargeable du corps de l'outil.

⚠ PRÉCAUTION

Porter un masque à poussière.

- (1) Retirez la boîte à poussière (Fig. 19)

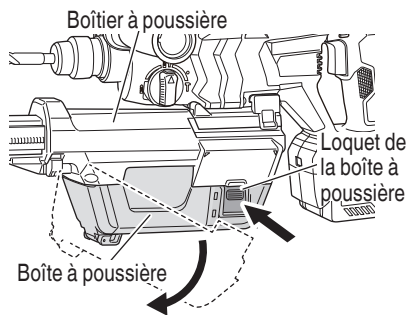


Fig. 19

- (2) Nettoyez la poussière dans la chambre cyclone (Fig. 20)

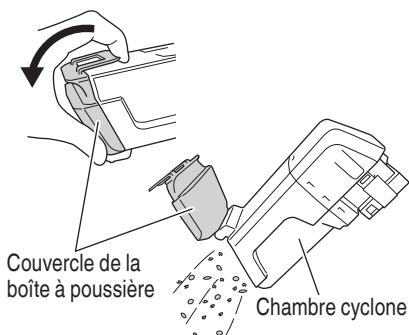


Fig. 20

- (3) Appuyez sur les 2 loquets situés sur les côtés du couvercle du filtre, puis tirez vers le haut et retirez le jeu de filtres. (Fig. 21)

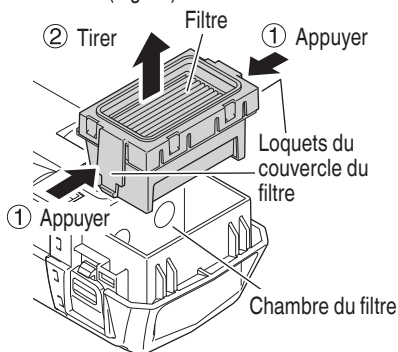


Fig. 21

Nettoyez la poussière dans la chambre du filtre (Fig. 22)

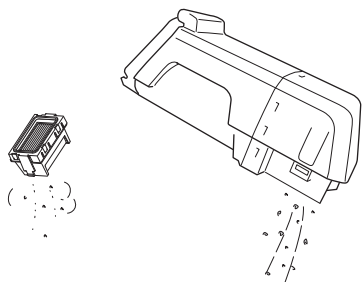


Fig. 22

De plus, nettoyez toute la poussière qui a adhéré sur la surface du filtre.

REMARQUE

Ne pas toucher directement le filtre avec une brosse dure ou un outil similaire, ou procéder à un soufflage à l'air comprimé à l'arrière du filtre.

De même, ne pas laver le filtre à l'eau.

Cela pourrait rayer le filtre et/ou raccourcir sa durée de vie.

- (4) Assurez-vous que le filtre est correctement positionné.
- (5) Fixez la boîte à poussière au boîtier à poussière. (Fig. 23)

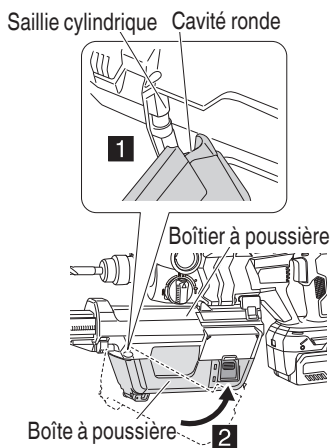


Fig. 23

REMARQUE

Assurez-vous qu'il n'y a pas de poussière sur le loquet avant d'installer le loquet.

Le non-respect de cette consigne peut entraîner la chute de la boîte à poussière pendant l'utilisation.

- 6. Remplacement du filtre
Si le filtre à l'intérieur de la boîte à poussière est obstrué, les performances d'extraction de poussière diminuent.
À titre indicatif, remplacer le filtre toutes les 100 fois que la boîte à poussière est pleine.

⚠ AVERTISSEMENT

Lors du remplacement du filtre, afin d'éviter tout risque d'accident, s'assurer d'éteindre le commutateur de l'outil et retirer la batterie du corps de l'outil.

- (1) Insérez un tournevis à tête plate dans chacune des quatre encoches du couvercle du filtre et retirez le couvercle. (Fig. 24)

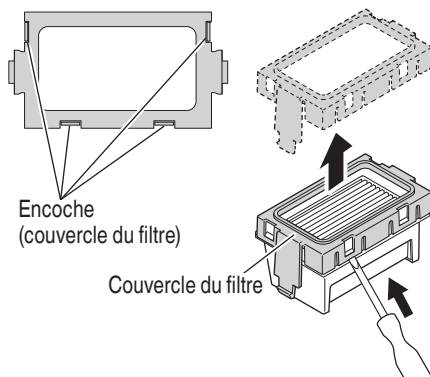


Fig. 24

- (2) Retirez le filtre depuis l'intérieur et remplacez-le par un filtre neuf. (Fig. 25)

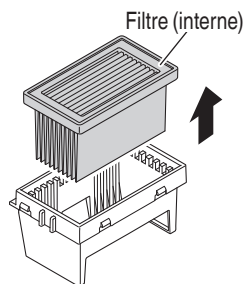


Fig. 25

- (3) Fixez le couvercle du filtre.

7. Remplacement du joint de la buse et le capuchon de la brosse (Fig. 26, 27)

Au fur et à mesure que le joint de la buse et le capuchon de la brosse s'usent, les performances d'extraction de poussière déclinent.

Si le joint de la buse ou le capuchon de la brosse est usé, le remplacer par un neuf.

⚠ Avertissement

Lors du remplacement du joint de la buse ou du capuchon de la brosse, pour prévenir un accident peu probable s'assurer d'éteindre le commutateur de l'outil et retirer la batterie du corps de l'outil.

En outre, retirer la mèche de l'outil.

- (a) Remplacement du joint de la buse (Fig. 26)

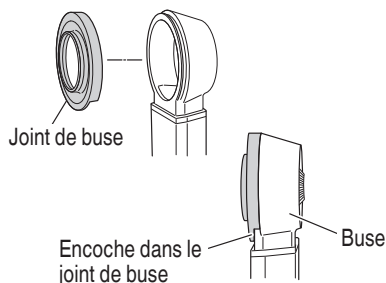


Fig. 26

⚠ Précaution

Pour éviter les accidents, veuillez à couper l'interrupteur, puis à déconnecter la batterie et l'outil de perçage.

- ① Retirer le joint de la buse comme indiqué sur la figure.
- ② Fixer un nouveau joint de buse. Aligner le joint de la buse de telle sorte que son encoche s'imbrique dans la forme externe de la buse.

- (b) Remplacement du capuchon de la brosse (Fig. 27)

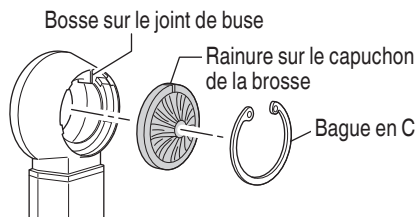


Fig. 27

⚠ Précaution

Pour éviter les accidents, veuillez à couper l'interrupteur, puis à déconnecter la batterie et l'outil de perçage.

- ① Utiliser des pinces ou un outil similaire pour retirer la bague en C, puis remplacer le capuchon de la brosse par un neuf.
- ② Aligner la rainure du nouveau capuchon de brosse avec la butée sur la buse et les imbriquer ensemble.
- ③ Remettre la bague en C dans sa position d'origine, en veillant à ce qu'elle soit bien en place et ne risque pas de se détacher.

ENTRETIEN ET INSPECTION

⚠ AVERTISSEMENT

Lors de l'exécution des inspections ou de l'entretien, veiller à éteindre le commutateur de l'outil et retirer le système extracteur de poussière du corps de l'outil.

1. Inspection du corps du système extracteur de poussière

Contrôler régulièrement les lieux où les différentes pièces du système extracteur de poussière s'imbriquent afin de s'assurer qu'il n'y a aucun cliquetis ou aucune pièce desserrée.

Si le système d'extraction de poussière est utilisé alors que certaines pièces sont desserrées, il y a un risque de blessure ou d'autres accidents. Si une anomalie survient avec le système extracteur de poussière, consulter le centre de service après-vente metabo HPT agréé.

2. Nettoyage de l'extérieur

Lorsque l'outil électrique est sale, l'essuyer avec un chiffon sec et doux ou un chiffon imbibé d'eau savonneuse. Ne pas utiliser de solvant au chlore, d'essence ou de diluant, car ils font fondre les plastiques.

3. Remplacement du joint de la buse et le capuchon de la brosse

Au fur et à mesure que le joint de la buse et le capuchon de la brosse s'usent, les performances d'extraction de poussière déclinent.

Si le joint de la buse ou le capuchon de la brosse est usé, le remplacer par un neuf.

(a) Remplacement du joint de la buse (Fig. 28)

① Retirer le joint de la buse comme indiqué sur la figure.

② Fixer un nouveau joint de buse. Aligner le joint de la buse de telle sorte que son encoche s'imbrique dans la forme externe de la buse.

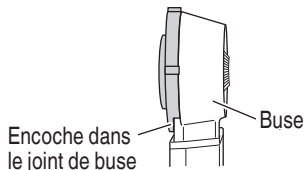
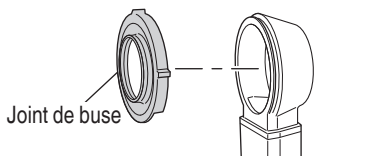


Fig. 28

(b) Remplacement du capuchon de la brosse (Fig. 29)

① Utiliser des pinces ou un outil similaire retirer la bague en C, puis remplacer le capuchon de la brosse par un neuf.

② Aligner la rainure du nouveau capuchon de brosse avec la butée sur la buse et les imbriquer ensemble.

③ Remettre la bague en C dans sa position d'origine, en veillant à ce qu'elle soit bien en place et ne risque pas de se détacher.

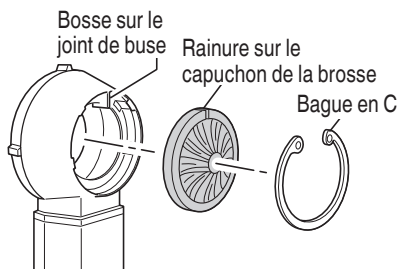


Fig. 29

4. Remisage

○ Ranger l'outil électrique dans un endroit où la température est inférieure à 50 °C et hors de portée des enfants.

○ Lors du remisage du système d'extraction de poussière, appuyer sur le bouton d'ajustement de la buse afin de mettre la buse en position complètement déployée. Si le rangement est impossible avec la buse complètement déployée, la buse peut être raccourcie à environ la moitié de sa taille (Fig. 30). Si la buse est maintenue contractée à l'intérieur du système d'extraction de poussière, cela peut conduire à un affaiblissement de sa force de pression.

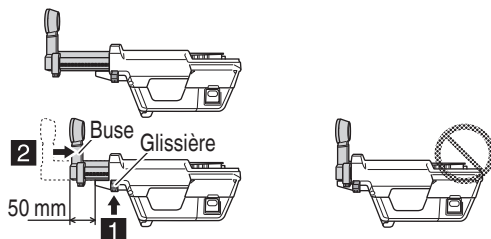


Fig. 30

⚠ PRÉCAUTION

Pour éviter les accidents, veillez à couper l'interrupteur, puis à déconnecter la batterie et l'outil de perçage.

- Si la buse ne retourne pas à la position complètement déployée, la tirer vers l'extérieur avec la main. La déployer et la contracter à plusieurs reprises l'aidera à récupérer.

⚠ PRÉCAUTION

Lors de l'utilisation et de l'entretien d'un outil électrique, respecter les règlements et les normes de sécurité en vigueur dans le pays en question.

Avis important sur les batteries pour outils électriques sans fil metabo HPT

Toujours utiliser une de nos batteries originales spécifiées. Nous ne saurions garantir la sécurité et la performance de notre outil électrique sans fil s'il est utilisé avec une batterie autre que celle que nous avons spécifié, ou encore si la batterie est démontée et modifiée (par exemple, le démontage et remplacement des cellules ou autres composants internes).

REMARQUE

Par suite du programme permanent de recherche et de développement metabo HPT, ces spécifications sont sujettes à modifications sans préavis.

DÉPANNAGE

Procéder aux inspections indiquées dans le tableau ci-dessous si l'outil ne fonctionne pas correctement. Si ceci ne résout pas le problème, contacter votre revendeur ou le centre de service après-vente metabo HPT agréé.

Symptôme	Cause probable	Solution
Les performances d'extractions de poussière ont diminué, ou de la poussière s'échappe du système d'extraction de poussière.	La boîte à poussière est pleine.	Videz la boîte à poussière de toute la poussière, puis nettoyez la boîte à poussière.
	Le boîtier du filtre est bouché.	Nettoyez le filtre. Ou remplacer le filtre par un filtre neuf.
	Le filtre, le capuchon de la brosse, ou le joint de la buse est fissuré, endommagé ou usé.	Le remplacer par un neuf.
La position de la buse ne se verrouille pas.	Les étapes suivantes ont été effectuées de manière incorrecte : ① La buse a été réglée sur la position souhaitée ② Le bouton d'ajustement de la buse a été enfoncé	Suivre les étapes suivantes : ① Tout en appuyant et en maintenant enfoncé le bouton de réglage de la buse... ② Régler la buse sur la position souhaitée ③ Relâcher le bouton d'ajustement de la buse

INSTRUCCIONES IMPORTANTES SOBRE SEGURIDAD

Antes de utilizar o de realizar cualquier trabajo de mantenimiento de esta herramienta eléctrica, lea todas las precauciones de seguridad, advertencias e instrucciones de funcionamiento de este manual de instrucciones.

La mayoría de los accidentes producidos en la operación y el mantenimiento de una herramienta eléctrica se deben a la falta de observación de las normas o precauciones de seguridad. Los accidentes normalmente podrán evitarse reconociendo una situación potencialmente peligrosa a tiempo y siguiendo los procedimientos de seguridad apropiados.

Las precauciones básicas de seguridad se describen en la sección "SEGURIDAD" de este Manual de instrucciones y en las secciones que contienen las instrucciones de operación y mantenimiento.

Para evitar lesiones o el daño de la herramienta eléctrica, los riesgos están identificados con ADVERTENCIAS en dicha herramienta y en este Manual de instrucciones.

NO utilice **NUNCA** esta herramienta eléctrica de ninguna forma que no esté específicamente recomendada por metabo HPT.

SIGNIFICADO DE LAS PALABRAS DE SEÑALIZACIÓN

ADVERTENCIA indica situaciones potencialmente peligrosas que, si se ignoran, pueden resultar en la muerte o en lesiones de gravedad.

PRECAUCIÓN indica situaciones potencialmente peligrosas que, de no evitarse, pueden resultar en lesiones menores o moderadas, o causar daños en la herramienta eléctrica.

NOTA acentúa información esencial.

SEGURIDAD

ADVERTENCIAS DE SEGURIDAD GENERAL DE LA HERRAMIENTA ELÉCTRICA

ADVERTENCIA

Lea todas las instrucciones y todas las advertencias de seguridad.

Si no se siguen las advertencias e instrucciones, podría producirse una descarga eléctrica, un incendio y/o daños graves.

Guarde todas las advertencias e instrucciones para futura referencia.

El término "herramienta eléctrica" en las advertencias hace referencia a la herramienta eléctrica que funciona con la red de suministro (con cable) o a la herramienta eléctrica que funciona con pilas (sin cable).

1) Seguridad en el área de trabajo

a) Mantenga la zona de trabajo limpia y bien iluminada.

Las zonas desordenadas o oscuras pueden provocar accidentes.

b) No utilice las herramientas eléctricas en entornos explosivos como, por ejemplo, en presencia de líquidos inflamables, gases o polvo.

Las herramientas eléctricas crean chispas que pueden hacer que el polvo desprenda humo.

c) Mantenga a los niños y transeúntes alejados cuando utilice una herramienta eléctrica.

Las distracciones pueden hacer que pierda el control.

2) Seguridad eléctrica

a) Los enchufes de las herramientas eléctricas tienen que ser adecuados a la toma de corriente.

No modifique el enchufe.

No utilice enchufes adaptadores con herramientas eléctricas conectadas a tierra.

Si no se modifican los enchufes y se utilizan tomas de corriente adecuadas se reducirá el riesgo de descarga eléctrica.

b) Evite el contacto corporal con superficies conectadas a tierra como tuberías, radiadores y frigoríficos.

Hay mayor riesgo de descarga eléctrica si su cuerpo está en contacto con el suelo.

c) No exponga las herramientas eléctricas a la lluvia o a la humedad.

La entrada de agua en una herramienta eléctrica aumentará el riesgo de descarga eléctrica.

d) No utilice el cable incorrectamente. No utilice el cable para transportar, tirar de la herramienta eléctrica o desenchufarla.

Mantenga el cable alejado del calor, del aceite, de bordes afilados o piezas móviles.

Los cables dañados o enredados aumentan el riesgo de descarga eléctrica.

- e) **Cuando utilice una herramienta eléctrica al aire libre, utilice un cable prolongador adecuado para utilizarse al aire libre.**
La utilización de un cable adecuado para usarse al aire libre reduce el riesgo de descarga eléctrica.
 - f) **Si no se puede evitar el uso de una herramienta eléctrica en un lugar húmedo, utilice un suministro protegido mediante un dispositivo de corriente residual (RCD).**
El uso de un RCD reduce el riesgo de descarga eléctrica.
- 3) **Seguridad personal**
- a) **Esté atento, preste atención a lo que hace y utilice el sentido común cuando utilice una herramienta eléctrica.**
No utilice una herramienta eléctrica cuando esté cansado o esté bajo la influencia de drogas, alcohol o medicación.
La distracción momentánea cuando utiliza herramientas eléctricas puede dar lugar a importantes daños personales.
 - b) **Utilice un equipo de protección. Utilice siempre una protección ocular.**
El equipo de protección como máscara para el polvo, zapatos de seguridad antideslizantes, casco o protección para oídos utilizado para condiciones adecuadas reducirá los daños personales.
 - c) **Evite un inicio involuntario. Asegúrese de que el interruptor está en "off" antes de conectar la herramienta a una fuente de alimentación y/o batería, cogerla o transportarla.**
El transporte de herramientas eléctricas con el dedo en el interruptor o el encendido de herramientas eléctricas con el interruptor encendido puede provocar accidentes.
 - d) **Retire las llaves de ajuste antes de encender la herramienta eléctrica.**
Si se deja una llave en una pieza giratoria de la herramienta eléctrica podrían producirse daños personales.
 - e) **No se extralimite. Mantenga un equilibrio adecuado en todo momento.**
Esto permite un mayor control de la herramienta eléctrica en situaciones inesperadas.
 - f) **Vístase adecuadamente. No lleve prendas sueltas o joyas. Mantenga el pelo, la ropa y los guantes alejados de las piezas móviles.**
La ropa suelta, las joyas y el pelo largo pueden pillarse en las piezas móviles.
 - g) **Si se proporcionan dispositivos para la conexión de extracción de polvo e instalaciones de recogida, asegúrese de que están conectados y se utilizan adecuadamente.**

La utilización de un sistema de recogida de polvo puede reducir los riesgos relacionados con el polvo.

- 4) **Utilización y mantenimiento de las herramientas eléctricas**
 - a) **No fuerce la herramienta eléctrica. Utilice la herramienta eléctrica correcta para su aplicación.**
La herramienta eléctrica correcta trabajará mejor y de forma más segura si se utiliza a la velocidad para la que fue diseñada.
 - b) **No utilice la herramienta eléctrica si el interruptor no la enciende y apaga.**
Las herramientas eléctricas que no pueden controlarse con el interruptor son peligrosas y deben repararse.
 - c) **Antes de hacer ajustes, cambiar accesorios o almacenar las herramientas eléctricas, desconecte el enchufe de la fuente eléctrica y/o las baterías de la herramienta.**
Estas medidas de seguridad preventivas reducen el riesgo de que la herramienta eléctrica se ponga en marcha accidentalmente.
 - d) **Guarde las herramientas eléctricas que no se utilicen para que no las cojan los niños y no permita que utilicen las herramientas eléctricas personas no familiarizadas con las mismas o con estas instrucciones.**
Las herramientas eléctricas son peligrosas si son utilizadas por usuarios sin formación.
 - e) **Mantenimiento de las herramientas eléctricas. Compruebe si las piezas móviles están mal alineadas o unidas, si hay alguna pieza rota u otra condición que pudiera afectar al funcionamiento de las herramientas eléctricas. Si la herramienta eléctrica está dañada, llévela a reparar antes de utilizarla.**
Se producen muchos accidentes por no realizar un mantenimiento correcto de las herramientas eléctricas.
 - f) **Mantenga las herramientas de corte afiladas y limpias.**
Las herramientas de corte correctamente mantenidas con los bordes de corte afilados son más fáciles de controlar.
 - g) **Utilice la herramienta eléctrica, los accesorios y las brocas de la herramienta, etc. de acuerdo con estas instrucciones, teniendo en cuenta las condiciones laborales y el trabajo que se va a realizar.**
La utilización de la herramienta eléctrica para operaciones diferentes a pretendidas podría dar lugar a una situación peligrosa.
- 5) **Utilización y cuidado de las herramientas a pilas**
 - a) **Recargue sólo con el cargador especificado por el fabricante.**

Un cargador que es apto para un tipo de paquete de pilas podría crear un riesgo de incendio cuando se utiliza con otro paquete de pilas.

b) Utilice herramientas eléctricas sólo con paquetes de pilas específicamente diseñados.

La utilización de otros paquetes de pilas podría crear riesgo de daños e incendio.

c) Cuando no se utilice el paquete de pilas, manténgalo alejado de otros objetos metálicos como clips, monedas, llaves, clavos, tornillos u otros objetos metálicos pequeños que puedan hacer una conexión de un terminal a otro.

Si se acortan los terminales de las pilas podrían producirse quemaduras o incendios.

d) Bajos condiciones abusivas, podría expulsarse líquido de la pila; evite todo contacto. En caso de que se produzca contacto accidentalmente, enjuague con agua. Si entra líquido en los ojos, busque ayuda médica.

El líquido expulsado de la pila podría causar irritación o quemaduras.

6) Revisión

a) Lleve su herramienta a que la revise un experto cualificado que utilice sólo piezas de repuesto idénticas.

Esto garantizará el mantenimiento de la seguridad de la herramienta eléctrica.

⚠ PRECAUCIÓN

Mantenga a los niños y a las personas enfermas alejadas.

Cuando no estén siendo usadas las herramientas deben ser almacenadas fuera del alcance de los niños y de las personas enfermas.

–ADVERTENCIA–

Para disminuir el riesgo de lesiones, el usuario debe leer el manual de instrucciones.

ADVERTENCIA

Algunos polvos creados por el lijado mecánico, el aserrado, el esmerilado, el taladrado y otras actividades de construcción contienen sustancias químicas conocidas por le Estado de California como agentes cancerígenos, defectos congénitos y otros daños reproductores. Algunos ejemplos de estas sustancias químicas son:

- El plomo de las pinturas a base de plomo,
- El sílice cristalino de los ladrillos y cemento y otros productos de mampostería, y
- El arsénico y el cromo de la madera tratada químicamente.

El riesgo resultante de la exposición varía según la frecuencia con que se realiza este tipo de trabajo. Para reducir la exposición a esta sustancias químicas: trabaje en un lugar bien ventilado y realice el trabajo utilizando el equipamiento apropiado, tal como las máscaras para el polvo especialmente diseñados para eliminar las partículas minúsculas.

ADVERTENCIAS DE SEGURIDAD DEL SISTEMA EXTRACTOR DE POLVO

1. Antes de usar el martillo perforador a batería, asegúrese de leer atentamente su manual de instrucciones.
2. No utilice herramientas para otros propósitos que no sean los especificados.
3. Siga las indicaciones del manual de instrucciones al instalar el sistema extractor de polvo en el martillo perforador a batería y al limpiar el sistema extractor de polvo, al cambiar su filtro, etc.
4. Utilice únicamente los accesorios y accesorios indicados.
Utilice únicamente los accesorios y accesorios indicados en el manual de instrucciones y los catálogos de la compañía.
5. Sustancias tales como el sílice y el amianto podrían ser perjudiciales para el cuerpo humano. Lleve a cabo las medidas antipolvo al trabajar con materiales que contengan tales sustancias.
6. Use gafas de seguridad y una máscara contra el polvo.
7. Si cualquier herramienta o equipo se deja caer o golpea accidentalmente, inspecciónelos cuidadosamente para asegurarse de que no existan daños, grietas ni deformaciones.
El uso de herramientas o equipo con daños, grietas o deformaciones podría causar lesiones.

**¡GUARDE ESTAS INSTRUCCIONES
Y
PÓNGALAS A DISPOSICIÓN DE OTROS USUARIOS
Y
PROPIETARIOS DE ESTA HERRAMIENTA!**

DESCRIPCIÓN FUNCIONAL

NOTA

La información contenida en este Manual de Instrucciones ha sido diseñada para ayudarle a utilizar con seguridad y mantener esta herramienta eléctrica.

NUNCA haga funcionar ni efectúe el mantenimiento de la herramienta antes de leer y comprender todas las instrucciones de seguridad contenidas en este manual.

Algunas ilustraciones de este Manual de Instrucciones pueden mostrar detalles o accesorios diferentes a los de la propia herramienta eléctrica.

NOMENCLATURA

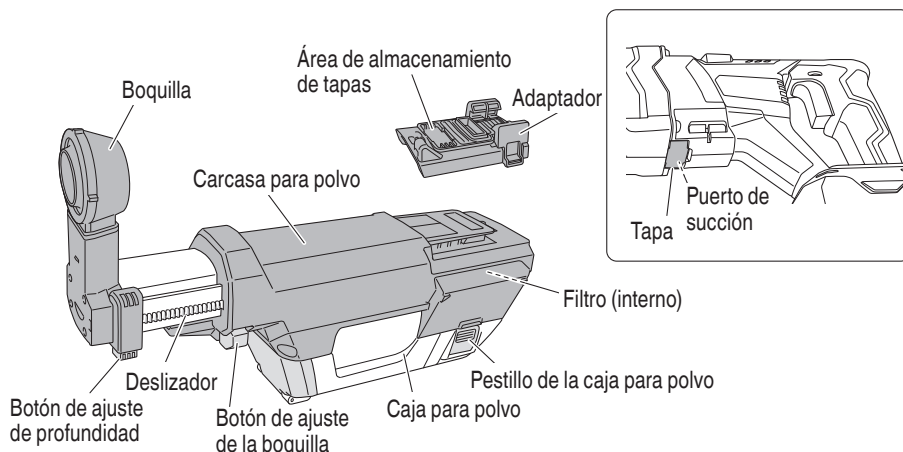


Fig. 1

ACCESORIOS OPCIONALES (vendidos por separado)

<p><input type="radio"/> Filtro Cambie el filtro al menos una vez de cada 100 veces que el sistema extractor de polvo se llena. Código N.º 376779</p> 	<p><input type="radio"/> Caja del polvo Código N.º 376772</p> 	<p><input type="radio"/> Conjunto del filtro Filtro incluido. Código N.º 376776</p> 	<p><input type="radio"/> Adaptador Código N.º 376765</p> 
<p><input type="radio"/> Junta de la boquilla Cambie esta pieza cuando se agriete o dañe, o si pierde su elasticidad. Código N.º 377175</p> 	<p><input type="radio"/> Tapa del cepillo Cambie esta pieza si las cerdas se están cayendo o acortándose por la fricción. Código N.º 370496</p> 	<p><input type="radio"/> Broca Deltagon (SDS más vástago)</p> 	<p><input type="radio"/> Broca (SDS más vástago)</p> 

Los accesorios opcionales están sujetos a cambio sin previo aviso.

ESPECIFICACIONES

Modelo	Sistema extractor de polvo
Capacidad de la caja del polvo	0.16 gal. (0.6 L)
Carrera máx.	3-15/16" (100 mm)
Profundidad máx. del taladrado de agujeros	3-11/32" (85 mm)
Diámetro de taladrado	11/64"-25/32" (4.3-20 mm)
Longitud máxima de la broca (longitud efectiva)	3-15/16" (100 mm) o inferior
Dimensiones (An. x Al. x Pr.)	4-1/16" x 8-25/32" x 15-15/32" (103 x 223 x 393 mm)
Peso	2.4 lbs. (1.1 kg)

MONTAJE Y OPERACIÓN

APLICACIONES

El sistema extractor de polvo está especializado en la perforación de hormigón, para el uso con los siguientes martillos perforadores a batería de metabo HPT: DH3628DD / DH36DPE / DH18DPC

NOTA

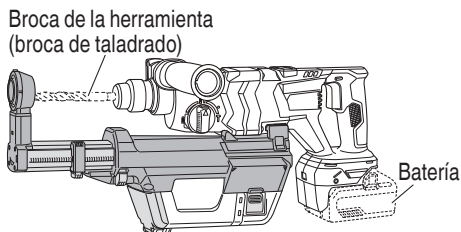
Este sistema extractor de polvo debe utilizarse solamente para la perforación de hormigón.

MODO DE EMPLEO

1. Instalación y desinstalación del sistema extractor de polvo

⚠ ADVERTENCIA

- Durante la instalación, desinstalación o ajuste del sistema extractor de polvo, a fin de evitar un accidente poco probable, asegúrese de desactivar el interruptor de la herramienta y, a continuación, retire la batería y la broca de la herramienta. (Fig. 2)



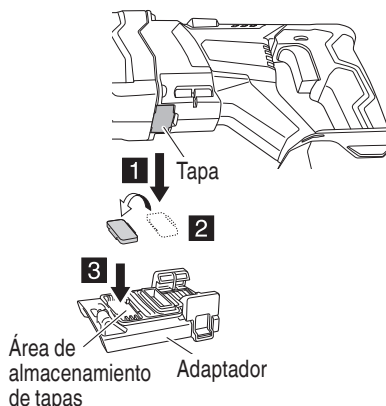
- Asegúrese de que el sistema extractor de polvo esté completamente instalado. Si no lo está, el sistema extractor de polvo podría soltarse y causar lesiones.

<Instalación del sistema extractor de polvo>

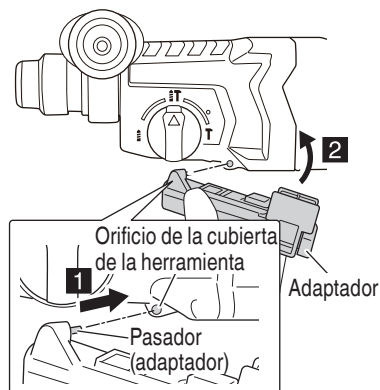
- (1) Retire la tapa de la herramienta y guárdela en el adaptador.

NOTA

Para evitar perder la tapa extraída, guárdela en el área de almacenamiento de tapas del adaptador. (Fig. 3)



- (2) Instale el adaptador en el producto. Inserte el pasador del adaptador en el orificio de la cubierta de la herramienta y fíjelo con el pestillo. (Fig. 4)



- (3) Para instalar el sistema extractor de polvo, inserte el riel del sistema extractor de polvo en la ranura del riel del adaptador y presione hasta que escuche un “clic”. (Fig. 5)

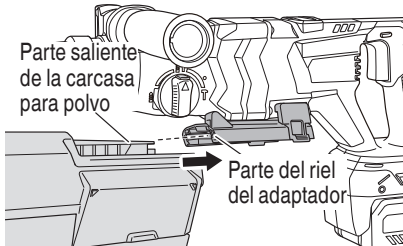


Fig. 5

⚠ PRECAUCIÓN
Primero instale el adaptador en la herramienta y, a continuación, instale el sistema extractor de polvo.
 Si el adaptador se conecta primero al sistema extractor de polvo, el pestillo se bloquea y el sistema extractor de polvo no se puede instalar en la herramienta. Además, hacerlo puede provocar daños, caídas o lesiones. (Fig. 6)

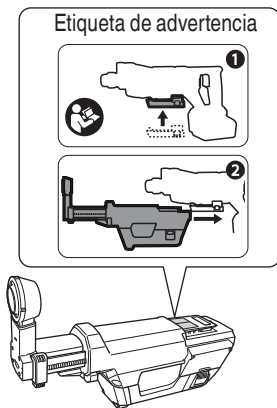


Fig. 6

<Extracción del sistema extractor de polvo>

- (1) Sostenga el deslizador del sistema extractor de polvo con una mano y retire el sistema extractor de polvo con la otra usando el dedo índice para deslizar el botón situado en la parte posterior de la unidad. (Fig. 7)

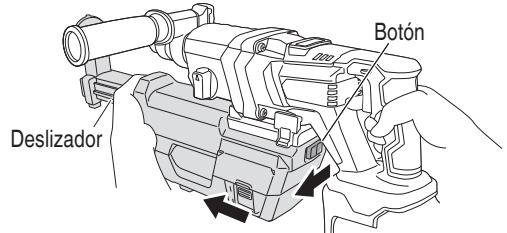


Fig. 7

- (2) Presione los pestillos de ambos lados y extraiga el pasador del orificio para quitar el adaptador. (Fig. 8)

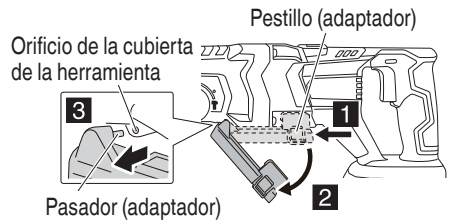


Fig. 8

- (3) Retire la tapa del adaptador y colóquela en el puerto de succión. (Fig. 9, Fig. 10)

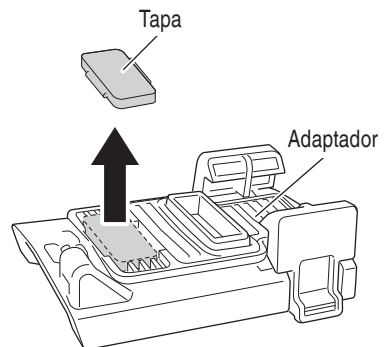


Fig. 9

Inserte la parte saliente de la tapa en la ranura del lado de la cubierta de engranajes, luego presione la tapa. (Fig. 10)

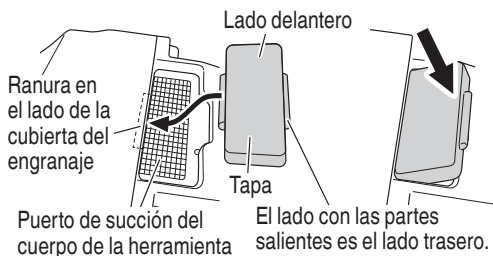


Fig. 10

NOTA

Cuando el sistema extractor de polvo no esté en uso, mantenga la tapa colocada en la herramienta. Utilizar la herramienta sin la tapa reducirá el rendimiento del trabajo.

Además, el polvo puede obstruir la red y provocar un mal funcionamiento.

La tapa tiene anverso y reverso. La tapa solo se puede colocar por el anverso.

2. Ajuste de la posición de la boquilla

NOTA

Si el botón de ajuste de la posición de la boquilla se pulsa para liberar el bloqueo mientras la boquilla está en una posición que no sea completamente extendida, es posible que la boquilla salte hacia afuera.

- (1) Presione el botón de ajuste de la posición de la boquilla y asegúrese de que la boquilla esté en la posición completamente extendida. (Fig. 11)
- (2) Mientras sujeta la herramienta de tal manera que no se pulse el interruptor, coloque la boquilla contra el material por taladrar. (Fig. 11)

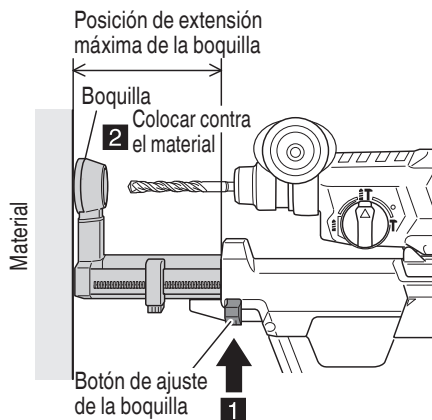


Fig. 11

- (3) Mientras presiona el botón de ajuste de la boquilla en la dirección de la flecha, presione la herramienta hacia el material, permitiendo que la posición de la boquilla se acorte hasta que alcance la posición en la que la broca entra en contacto con el material. (Fig. 12)

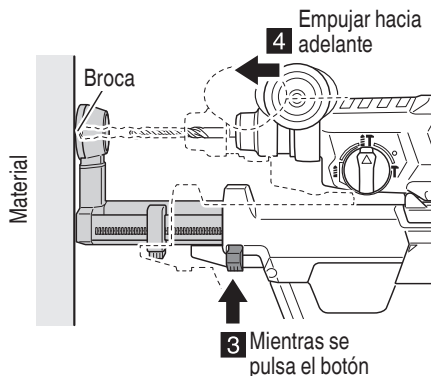


Fig. 12

NOTA

Si la posición de la boquilla se ha acortado antes de pulsar el botón de ajuste de la boquilla, esta no se bloqueará en su posición, incluso si se suelta el botón de ajuste de boquilla.

- (4) Suelte el botón de ajuste de la boquilla para bloquear la posición de la boquilla. (Fig. 13)

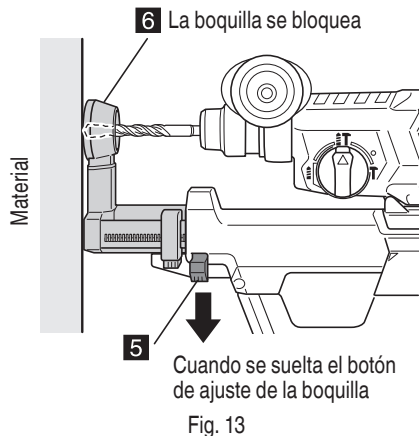


Fig. 13

3. Ajuste la profundidad de taladrado

NOTA

- La profundidad máxima de taladrado cuando se utiliza el sistema extractor de polvo es de 85 mm.
 - El sistema extractor de polvo puede utilizarse con brocas con un diámetro de 4.3–20 mm y una longitud efectiva de 50–100 mm.
- Si se usa una broca con un diámetro mayor de 20 mm, extraiga el sistema extractor de polvo.

Pulse el botón de ajuste de la profundidad en la dirección indicada por la flecha para liberar el bloqueo, mueva la boquilla para ajustar la carrera igual que la profundidad a la que desea taladrar y, a continuación, suelte el botón de ajuste de la profundidad para bloquear la posición. (Fig. 14)

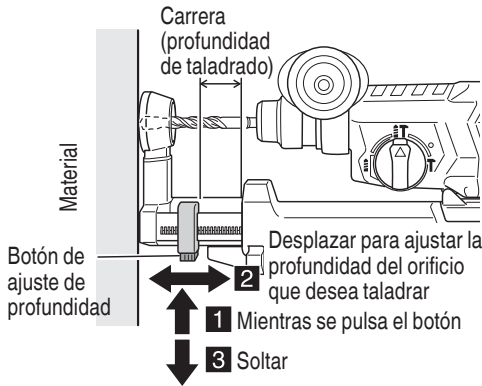


Fig. 14

Cuando el extremo de la boquilla y la punta de la broca se alinean, la distancia a la que se puede desplazar la boquilla es la profundidad de taladrado. (Fig. 15)

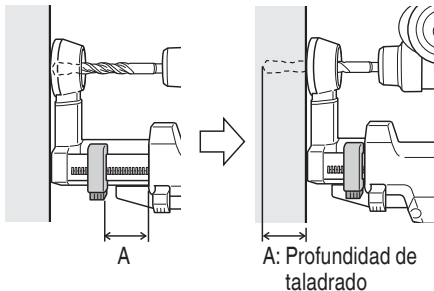


Fig. 15

4. Taladrado

NOTA

- El sistema extractor de polvo debe ser utilizado solamente en la perforación de hormigón. No lo utilice al taladrar metal o madera.
 - No utilice el sistema extractor de polvo con el hormigón húmedo o en un entorno húmedo. De lo contrario, podría provocar un fallo de funcionamiento.
- (1) Agarre la boquilla con la mano y tire de ella ligeramente hacia atrás y, a continuación, alinee la broca con el punto que se va a perforar. (Fig. 16)

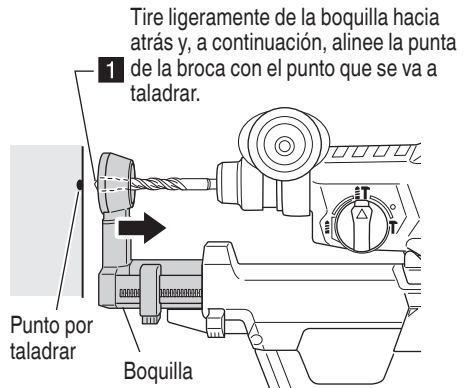


Fig. 16

- (2) Sulte la boquilla y permita que haga un contacto firme con la superficie de hormigón. (Fig. 17)

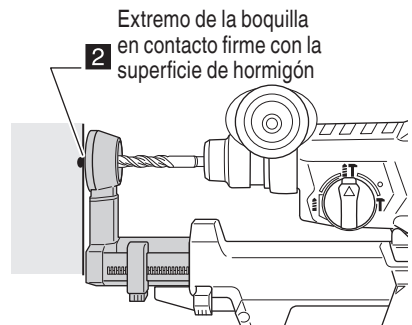


Fig. 17

NOTA

Si se eleva la boquilla por encima de la superficie, el rendimiento de la extracción de polvo disminuye.

- (3) Con el extremo de la boquilla inmóvil en contacto firme con la superficie de hormigón, proceda con el taladrado. (Fig. 18)

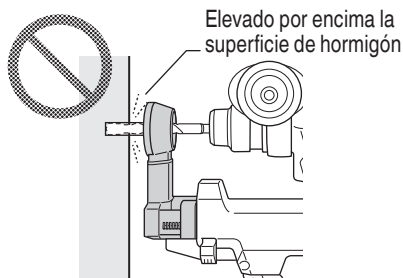
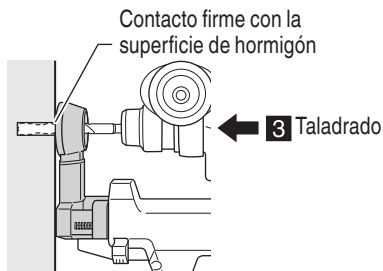


Fig. 18

5. Vaciado del polvo

Si se recoge una gran cantidad de polvo en la caja para polvo, el rendimiento de la extracción de polvo disminuye.

Además, si la caja para polvo está llena, el polvo podría fugarse del sistema extractor de polvo.

Inspeccione el sistema extractor de polvo regularmente y deseche el polvo antes de que se llene.

⚠ ADVERTENCIA

Al vaciar el polvo, a fin de prevenir accidentes, aunque es poco probable, asegúrese de desactivar el interruptor de la herramienta y de retirar la batería recargable del cuerpo de la herramienta.

⚠ PRECAUCIÓN

Utilice una máscara antipolvo.

- (1) Desmonte la caja para polvo (Fig. 19).

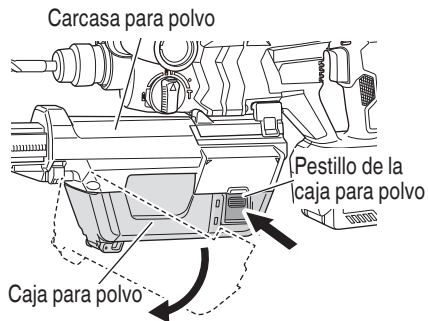


Fig. 19

- (2) Limpie el polvo de la cámara ciclónica (Fig. 20).

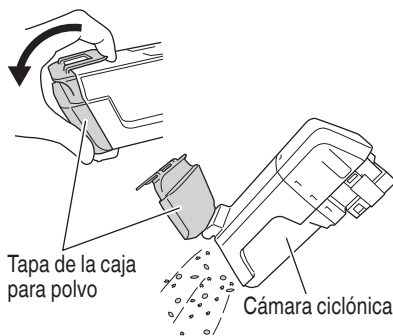


Fig. 20

- (3) Presione los 2 cierres a los lados de la tapa del filtro, luego tire hacia arriba y retire el juego de filtros. (Fig. 21)

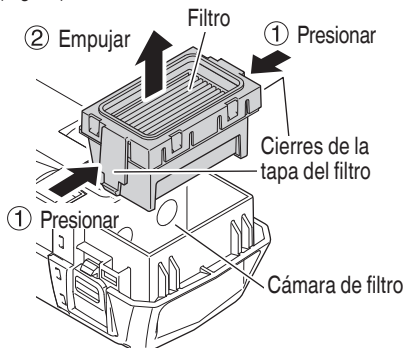


Fig. 21

Limpie el polvo de la cámara del filtro (Fig. 22).

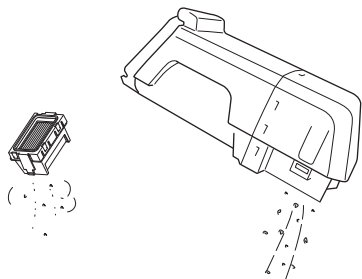


Fig. 22

Además, limpie el polvo adherido a la superficie del filtro.

NOTA

No toque directamente el filtro con un cepillo duro u otra herramienta similar ni rocíe la parte trasera del filtro con aire comprimido.

Además, no lave el filtro con agua.

De lo contrario podría rayar el filtro o acortar su vida útil.

- (4) Asegúrese de que el filtro esté colocado correctamente.
- (5) Coloque la caja para polvo en la carcasa para polvo. (Fig. 23)

Saliente cilíndrico Cavitya redonda

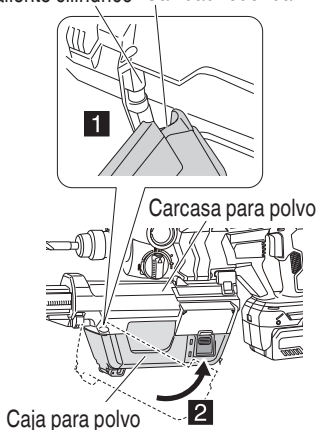


Fig. 23

NOTA

Asegúrese de que no haya polvo adherido al pestillo antes de colocarlo.

Si no observa esta indicación, la caja para polvo se puede caer durante el uso.

6. Sustitución del filtro

Si el filtro en el interior de la caja del polvo se obstruye, disminuye el rendimiento de la extracción del polvo.

Como norma, reemplace el filtro cada 100 veces que se llena la caja de polvo.

⚠ ADVERTENCIA

Al reemplazar el filtro, a fin de evitar accidentes, aunque es poco probable, asegúrese de desactivar el interruptor de la herramienta y de retirar la batería del cuerpo de la herramienta.

- (1) Inserte un destornillador de punta plana en los cuatro cierres de la tapa del filtro y extraiga la tapa. (Fig. 24)

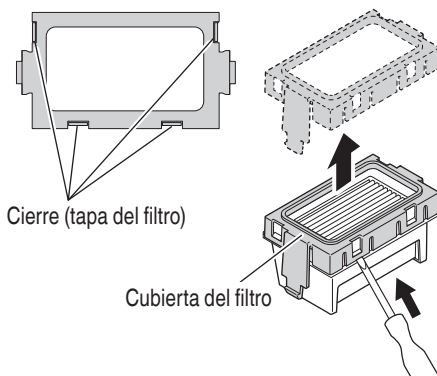


Fig. 24

- (2) Extraiga el filtro del interior y sustitúyalo por uno nuevo. (Fig. 25)

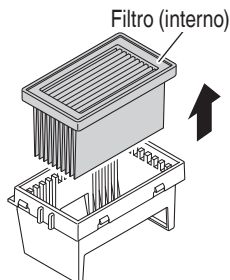


Fig. 25

- (3) Coloque la tapa del filtro.

7. Reemplazo de la junta de la boquilla y la tapa del cepillo (Fig. 26, 27)

A medida que la junta de la boquilla y de la tapa del cepillo se desgastan, el rendimiento de la extracción de polvo disminuye.

Si la junta de la boquilla o la tapa del cepillo están desgastadas, reemplácelas por una nueva.

⚠ ADVERTENCIA

Al cambiar la junta de la boquilla o la tapa del cepillo, a fin de prevenir accidentes, aunque es poco probable, asegúrese de desactivar el interruptor de la herramienta y extraiga la batería del cuerpo de la herramienta.

Asimismo, retire la broca de la herramienta.

- (a) Sustitución de la junta de la boquilla (Fig. 26)

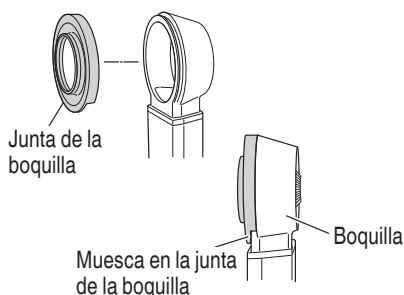


Fig. 26

⚠ PRECAUCIÓN

Para prevenir accidentes, asegúrese de apagar el interruptor, luego desconecte la batería y la herramienta de perforación.

- ① Retire la boquilla de la junta, tal y como se muestra en la figura.
- ② Coloque una nueva junta de la boquilla. Alinee la muesca de la boquilla de tal modo que la junta encaje en la forma exterior de la boquilla.

- (b) Sustitución de la tapa del cepillo (Fig. 27)

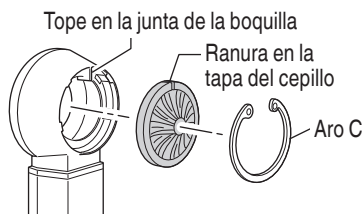


Fig. 27

⚠ PRECAUCIÓN

Para prevenir accidentes, asegúrese de apagar el interruptor, luego desconecte la batería y la herramienta de perforación.

- ① Utilice unas tenazas o una herramienta similar, retire el anillo C y reemplace la tapa del cepillo por una nueva.
- ② Alinee las ranuras de la nueva tapa del cepillo con el tope de la boquilla y fíjelos juntos.
- ③ Coloque de nuevo el anillo C en su posición original, asegurándose de que esté fijo y que no se caerá.

MANTENIMIENTO E INSPECCIÓN

⚠ ADVERTENCIA

Al llevar a cabo tareas de inspección o mantenimiento, asegúrese de apagar el interruptor de la herramienta y extraiga el sistema extractor de polvo del cuerpo de la herramienta.

1. Inspección del cuerpo del sistema extractor de polvo

Inspeccione regularmente los lugares en los que las diversas partes del sistema extractor de polvo encajan para asegurarse de que no hay ruido de vibraciones ni partes sueltas.

Si el sistema extractor de polvo se utiliza mientras alguna de las piezas está suelta, existe el riesgo de lesiones personales u otros accidentes. Si hay algo anormal con el sistema extractor de polvo, póngase en contacto con el centro de servicio autorizado de metabo HPT.

2. Limpieza del exterior

Cuando la herramienta esté sucia, límpiela con un trapo seco y suave o con un paño humedecido en agua jabonosa. No utilice disolventes clóricos, gasolina o disolventes para pinturas ya que estos deforman los materiales plásticos.

3. Sustitución de la junta de boquilla y la tapa del cepillo

A medida que la junta de boquilla y la tapa del cepillo se desgastan, el rendimiento de la extracción de polvo disminuye.

Si la junta de boquilla o la tapa del cepillo están desgastadas, reemplácelas por una nueva.

(a) Sustitución de la junta de boquilla (Fig. 28)

① Retire la junta de boquilla, tal y como se muestra en la figura.

② Coloque una nueva junta de boquilla. Alinee la junta de boquilla de tal manera que la muesca encaje en la forma exterior de la boquilla.

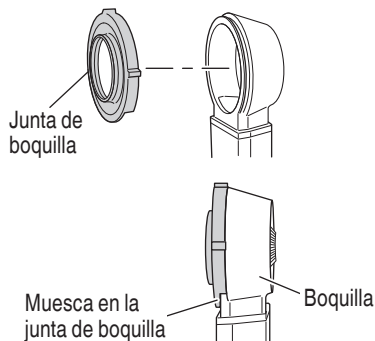


Fig. 28

(b) Sustitución de la tapa del cepillo (Fig. 29)

① Utilice unas tenazas o una herramienta similar, retire el aro C y reemplace la tapa del cepillo por otra nueva.

② Alinee la ranura de la nueva tapa del cepillo con el tope de la boquilla y fíjelos juntos.

③ Coloque de nuevo el anillo C en su posición original, asegurándose de que esté fijo y que no se caerá.

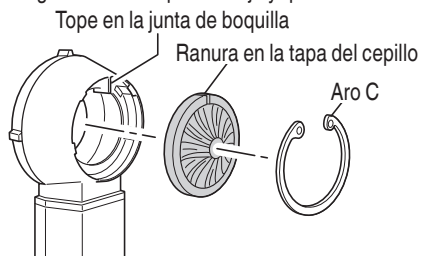


Fig. 29

4. Conservación

○ Guarde la herramienta en un lugar en el que la temperatura sea inferior a 50°C y fuera del alcance de los niños.

○ Al guardar el sistema extractor de polvo, presione el botón de ajuste de la boquilla para colocar la boquilla en la posición de extensión máxima. Si no se puede guardar con la boquilla completamente extendida, la boquilla se puede acortar a aproximadamente la mitad de su tamaño (Fig. 30).

Mantener la boquilla completamente contraída dentro del sistema extractor de polvo puede provocar que su fuerza de presión se debilite.

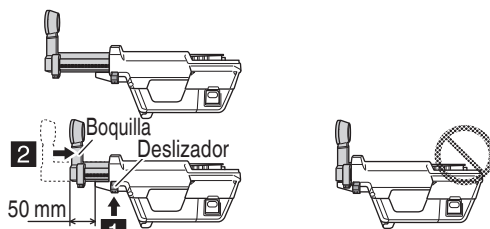


Fig. 30

⚠ PRECAUCIÓN

Para prevenir accidentes, asegúrese de apagar el interruptor, luego desconecte la batería y la herramienta de perforación.

- Si la boquilla no vuelve a la posición completamente extendida, tire de ella hacia fuera con la mano. La extensión y contracción repetida ayudará a que se recupere.

⚠ PRECAUCIÓN

En la operación y el mantenimiento de las herramientas eléctricas, se deberán observar las normas y reglamentos vigentes en cada país.

Aviso importante sobre las pilas de las herramientas inalámbricas de metabo HPT

Utilice siempre una de nuestras pilas genuinas. No podemos garantizar la seguridad y el funcionamiento de nuestra herramienta eléctrica inalámbrica cuando se utiliza con pilas diferentes a las indicadas por nosotros o cuando la pila se desmonta y modifica (como cuando se desmontan y sustituyen celdas u otras piezas internas).

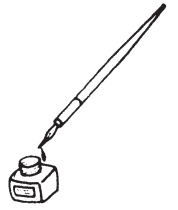
NOTA

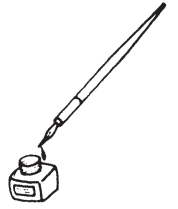
Debido al programa continuo de investigación y desarrollo de metabo HPT, estas especificaciones están sujetas a cambio sin previo aviso.

SOLUCIÓN DE PROBLEMAS

Utilice las inspecciones en la tabla inferior si la herramienta no funciona con normalidad. Si esto no soluciona el problema, contáctese con su distribuidor local o con el centro de servicio autorizado de metabo HPT.

Síntoma	Posible causa	Solución
El rendimiento de la extracción de polvo ha disminuido, o hay fugas de polvo en el sistema extractor de polvo.	La caja para polvo está llena.	Vacíe el polvo de la caja para polvo y limpie la caja para polvo.
	La caja del filtro está obstruida.	Limpie el filtro. O bien, reemplace el filtro por uno nuevo.
	El filtro, la tapa del cepillo o la junta de boquilla está agrietado, dañado o desgastado.	Sustitúyalo por uno nuevo.
No se bloquea la posición de la boquilla.	Se realizaron los siguientes pasos incorrectos: ① La boquilla se colocó en la posición deseada ② Se ha pulsado el botón de ajuste de la boquilla	Lleve a cabo los siguientes pasos: ① Mientras mantiene pulsado el botón de ajuste de la boquilla... ② Ajuste la boquilla en la posición deseada ③ Libere el botón de ajuste de la boquilla







Please contact KOKI HOLDINGS AMERICA LTD. at 1-800-59-TOOLS (toll free), or metabo HPT AUTHORIZED POWER TOOL SERVICE CENTER regarding COLLECTION.



Pour le RAMASSAGE, contacter KOKI HOLDINGS AMERICA LTD. au 1-800-59-TOOLS (appel gratuit), ou UN SERVICE APRÈS-VENTE D'OUTILS ÉLECTRIQUE AGRÉÉ PAR metabo HPT.



Con respecto a la RECOLECCIÓN de baterías, póngase en contacto con KOKI HOLDINGS AMERICA LTD. número 1-800-59-TOOLS (llamada gratis), o con metabo HPT AUTHORIZED POWER TOOL SERVICE CENTER.

Issued by

Koki Holdings Co., Ltd.

Shinagawa Intercity Tower A, 15-1, Konan 2-chome,
Minato-ku, Tokyo 108-6020, Japan

Distributed by

Koki Holdings America Ltd.

1111 Broadway Ave,
Braselton, Georgia, 30517

Koki Holdings America Ltd. Canadian Branch

3405 American Drive, Units 9-10,
Mississauga, ON, L4V 1T6